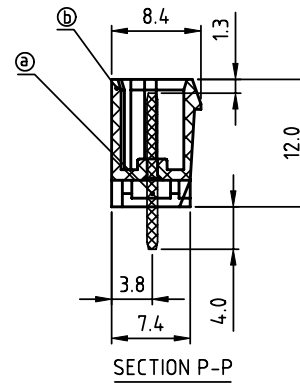
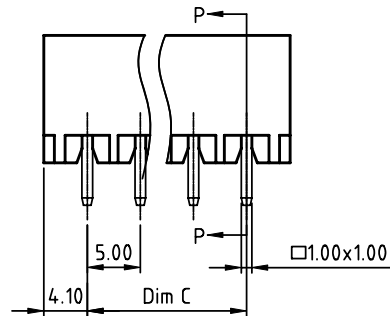
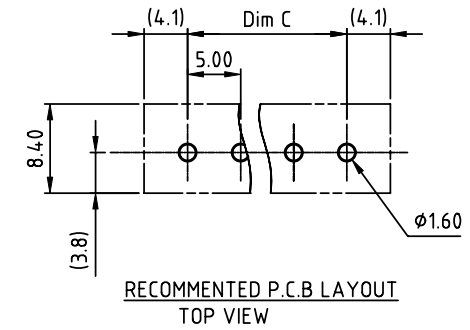
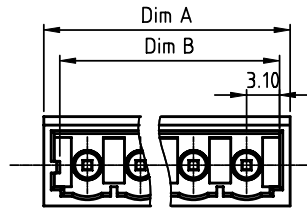


| | |
|----------------|---------|
| PRODUCT NUMBER | PITCH |
| NCxx71x000J0G | 5.00 mm |



Material:

- Item①Male contact pin: Copper Tin plated
 - Item②Terminal(housing): Thermoplastic (UL94V-0)
- Electrical: cULus
- Voltage rating: 300V
 - Current rating: 8A
 - Withstanding Voltage: 1.6 KV
 - Operating temperature: -40°C to +115°C
 - Soldering temperature: 260°C±5°C/5 Sec
 - Safety Approval: cULus

N=Number of poles
 Dim A=Nx5.0+3.2
 Dim B=Nx5.0+0.7
 Dim C=(N-1)x5.0

| poles | Dim A | Dim B | Dim C |
|--------|-------|-------------|-------|
| 2-6p | ±0.20 | +0.15 -0 | ±0.20 |
| 6-12p | ±0.30 | +0.3 -0 | ±0.30 |
| 12-24p | ±0.40 | +0.4 -0 | ±0.40 |

PART NO.: NC xx 7 1 x 0 00J0 G

- | | | | |
|--------------|----------|---------------------|--|
| Solid block | 0 | Black (RAL9005) | RoHS compliant (lead<4%) In copper Alloy |
| No. of poles | 2 | Red (RAL3001/D) | |
| 02 | 2 poles | 3 Orange(RAL2011/P) | |
| 03 | 3 poles | 4 Yellow(RAL1018/A) | |
| ... | ... | 5 Green(RAL6018/T) | |
| 24 | 24 poles | 6 Blue (RAL5015/A) | |
| | | 8 Grey(RAL7035/D) | |
| | | 9 White(RAL1102) | |
| | | C Green(RAL6018/U) | |

| | | | | | |
|---------------------------------------|----------------|-----------------------|-------------------------|--------------------------|--|
| mat'l. code | | surface ASME Y14.5 | tolerance ASME Y14.5 | projection | product family TERMINAL BLOCK |
| ltr | ecn no | dr | date | MM | title TERMINAL BLOCK PLUGGABLE SOCKET,VERTICAL |
| tolerances unless otherwise specified | | | | | |
| angles | | X.±0.5 | | | dwg no NCxx71x000J0G sheet 1 of 1 size A4 |
| X*±1° | | X.XX±0.3 | | | |
| dr | | EVIN ZHONG | 042314 | | |
| enrg | | EVIN ZHONG | 042314 | | |
| chr | | HANKE FENG | 042314 | type CUSTOMER Drawing | |
| appd | | SHI JUN | 042314 | | |
| sheet index | revision sheet | A | 1 | | |