

1. Scope

The present specifications shall apply to an SJPL-H2.

2. Outline

| | |
|--------------|------------------------------|
| Type | Silicon Diode |
| Structure | Resin Molded |
| Applications | High Frequency Rectification |

3. Flammability

UL94V-0(Equivalent)

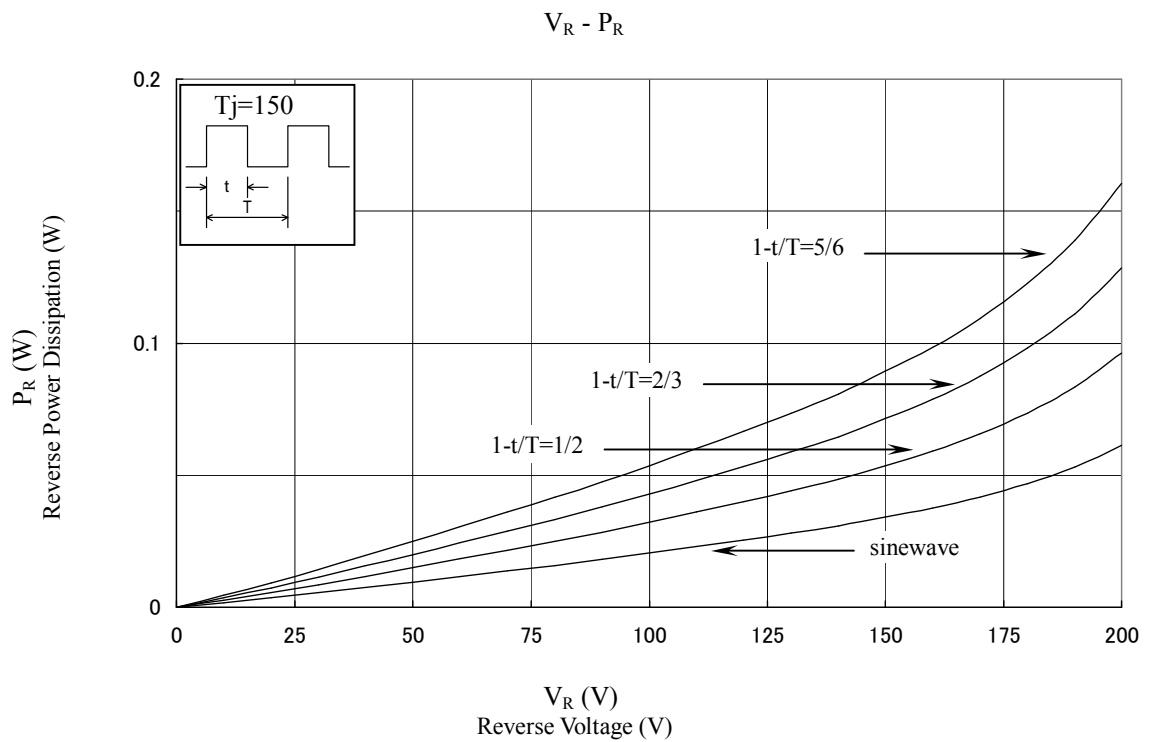
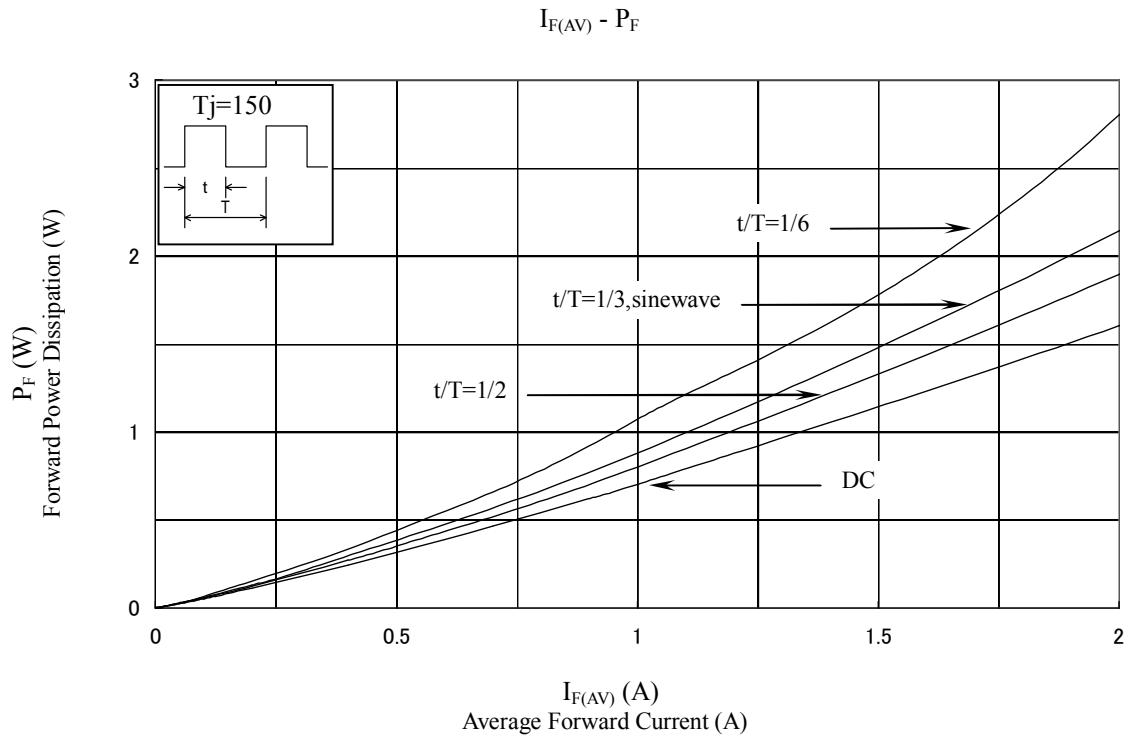
4. Absolute maximum ratings

| No. | Item | Symbol | Unit | Rating | Conditions |
|-----|--------------------------------|-------------|-------------|----------|------------------------------------|
| 1 | Transient Peak Reverse Voltage | V_{RSM} | V | 200 | |
| 2 | Peak Reverse Voltage | V_{RM} | V | 200 | |
| 3 | Average Forward Current | $I_{F(AV)}$ | A | 2.0 | Refer to Derating of 7 |
| 4 | Peak Surge Forward Current | I_{FSM} | A | 25 | 10msec. Half sinewave, one shot |
| 5 | I^2t Limiting Value | I^2t | A^2s | 3.1 | $1msec \leq t \leq 10msec$ |
| 6 | Junction Temperature | T_j | $^{\circ}C$ | -40~+150 | |
| 7 | Storage Temperature | T_{stg} | $^{\circ}C$ | -40~+150 | |

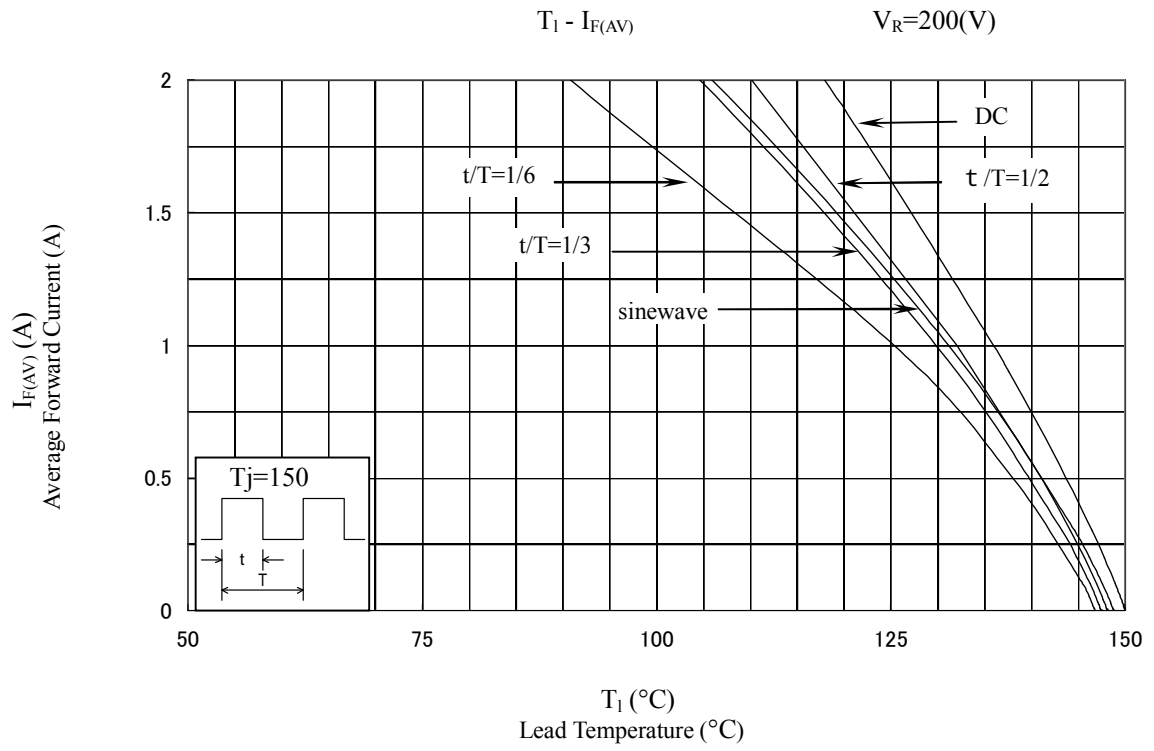
5. Electrical characteristics ($T_a=25^{\circ}C$, unless otherwise specified)

| No. | Item | Symbol | Unit | Value | Conditions |
|-----|--|---------------|---------------|-----------|--|
| 1 | Forward Voltage Drop | V_F | V | 0.98 max. | $I_F=2.0A$ |
| 2 | Reverse Leakage Current | I_R | μA | 50 max. | $V_R=V_{RM}$ |
| 3 | Reverse Leakage Current Under High Temperature | $H \cdot I_R$ | μA | 200 max. | $V_R=V_{RM}, T_j=150^{\circ}C$ |
| 4 | Reverse Recovery Time | t_{rr1} | ns | 50 max. | $I_F=I_{RP}=100mA$ 90% Recovery point, $T_j=25^{\circ}C$ |
| | | t_{rr2} | ns | 35 max. | $I_F=100mA, I_{RP}=200mA$ 75% Recovery point, $T_j=25^{\circ}C$ |
| 5 | Thermal Resistance | $R_{th(j-l)}$ | $^{\circ}C/W$ | 20 max. | Between Junction and lead |

6. Characteristics

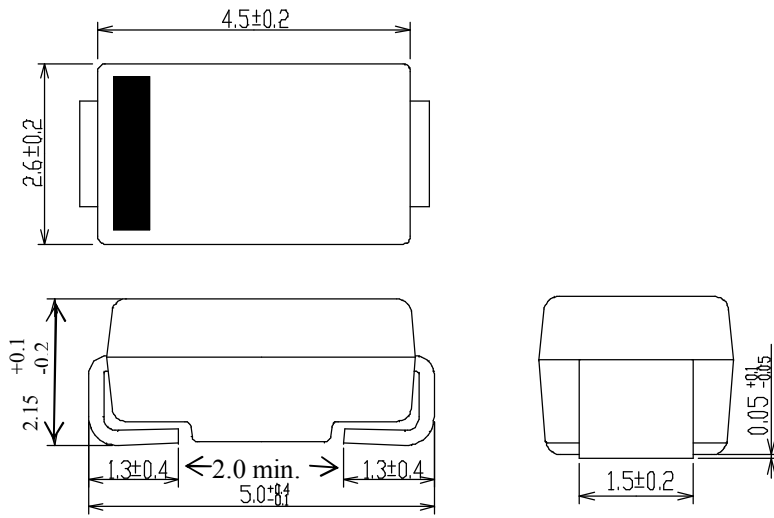


7. Derating



8. Package information

8-1 Package type, physical dimensions and material

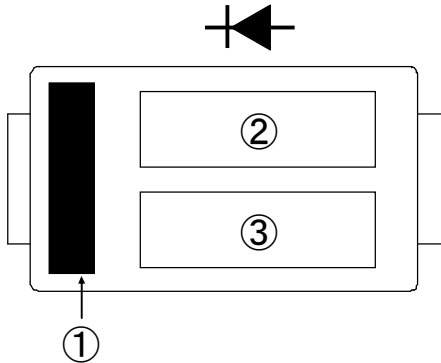


Dimensions in mm

8-2 Appearance

The body shall be clean and shall not bear any stain, rust or flaw.

8-3 Marking



Polarity marking (Cathode band)

Type number
SJPL-H2 as abbreviated of LH2

Lot number
Example) 6N14
6: Last number of Year
N: Month from 1 to 9 for Jan. to Sep.
O for Oct. , N for Nov. , D for Dec.
14: Day