

SAFETY ORGANIZATIONS

THIS FILTER HAS BEEN FORMALLY RECOGNIZED, CERTIFIED OR APPROVED BY THE LISTED AGENCY. THEREFORE, ALL TEST/REQUIREMENTS SPECIFIED IN THE LATEST REVISION OF THE FOLLOWING AGENCY STANDARDS HAVE BEEN MET:

UL RECOGNIZED: UL 1283
 CSA CERTIFIED: CSA 22.2, # 8
 VDE APPROVED: EN 133200

OPERATING SPECIFICATIONS

LINE CURRENT/VOLTAGE: 20 AMP/40°C, 120/250VAC

LINE FREQUENCY: 50-60Hz

MAXIMUM LEAKAGE CURRENT,
 EACH LINE TO GROUND:
 0.40mA @ 120V, 60Hz
 0.70mA @ 250V, 50Hz

OPERATING AMBIENT TEMP. RANGE: -10°C TO +40°C @ RATED CURRENT, I_r .

IN AN AMBIENT, T_a , HIGHER THAN 40°C, THE MAXIMUM OPERATING CURRENT, I_o , IS AS FOLLOWS:

$$I_o = I_r \sqrt{\frac{100 - T_a}{60}}$$

RELIABILITY SPECIFICATIONS:

STORAGE TEMPERATURE: -40°C TO +85°C
 HUMIDITY: 21 DAYS @ 40°C 95% RH.
 CURRENT OVERLOAD TEST: 6 TIMES I_r FOR 8 SECONDS

TEST SPECIFICATIONS:

INDUCTANCE: 0.44mH NOMINAL
 CAPACITANCE: (MEASURED @ 1KHz, 0.250VAC MAX., 25°C±1°C)
 LINE TO GROUND: 0.0089µF ±20%
 LINE TO LINE: 0.012µF ±20%
 DISCHARGE RESISTOR: 1.5MΩ
 L/G AND L/L I.R.:
 NO DISCHARGE RESISTOR: 6000MΩ (MIN.) @ 100VDC, 20°C AND 50% RH

RECOMMENDED RECEIVING INSPECTION HIPOT:

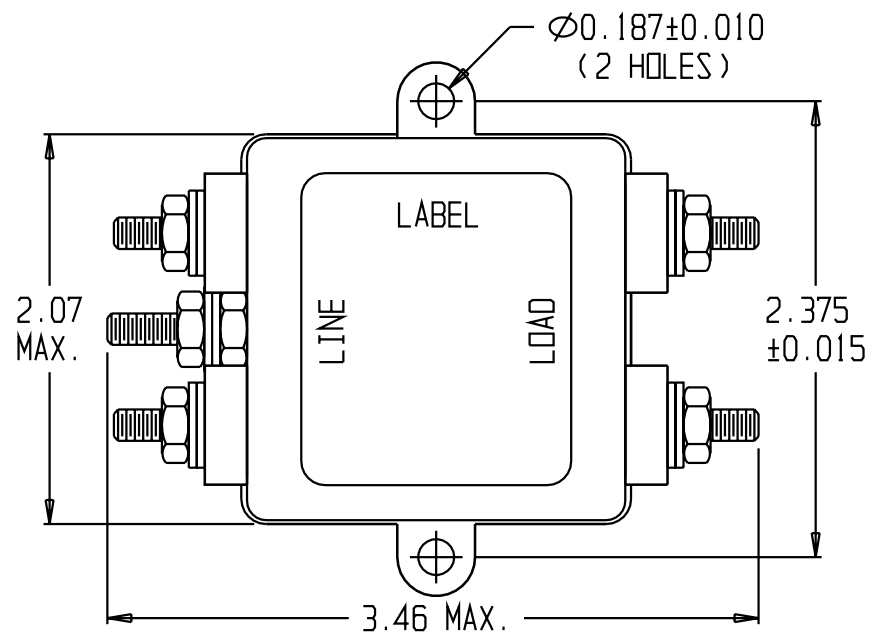
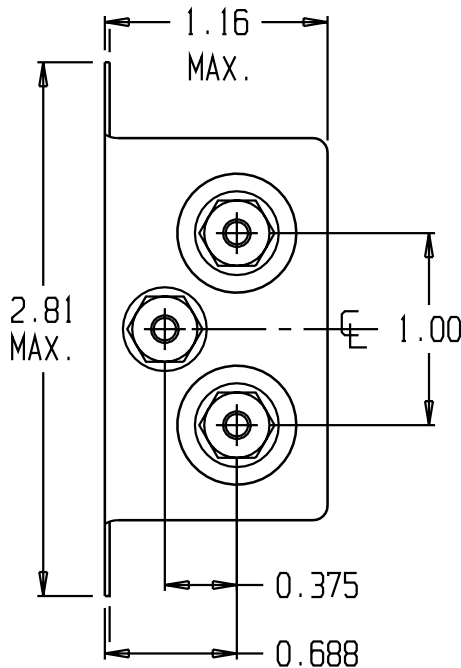
LINE TO GROUND: 1500VAC 2250VDC FOR 1 MINUTE
 LINE TO LINE: 1450VDC FOR 1 MINUTE

FILTER APPROVAL:

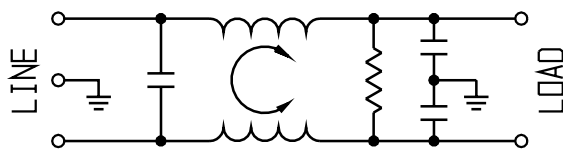
THE BEST WAY TO SELECT AND QUALIFY A FILTER IS FOR YOUR ENGINEERING TO TEST THE UNIT IN YOUR EQUIPMENT.

CATALOG # 20VB6

ECD #	APPRVD.	DATE
	KAW	30NOV06



TORQUE: 18±2 IN-LBS



8-32 TERMINALS (5X)

50Ω - 50Ω (MINIMUM) INSERTION LOSS

FREQUENCY MHz	0.15	0.5	1.0	2.0	5.0	10	20	30			
COMMON dB	11	26	37	44	47	50	50	48			
DIFF. dB											

THIRD ANGLE PROJECTION

UNLESS OTHERWISE SPECIFIED, TOLERANCE TO BE ±.025
 MATERIAL & FINISH: AS SUPPLIED

tyco Electronics **corcom**
 620 S. BUTTERFIELD ROAD MUNDLEIGH IL 60060

CUSTOMER DRAWING 20VB6

This document is proprietary to CORCOM INC. and is not to be reproduced nor used for manufacturing purposes except on CORCOM'S prior written consent.

TYCO: 1-6609021-3	SCALE: NTS	DATE: 12SEP89	CATALOG NO.	REV.
DRW. BY: JF	ORIG: CW		20VB6	B