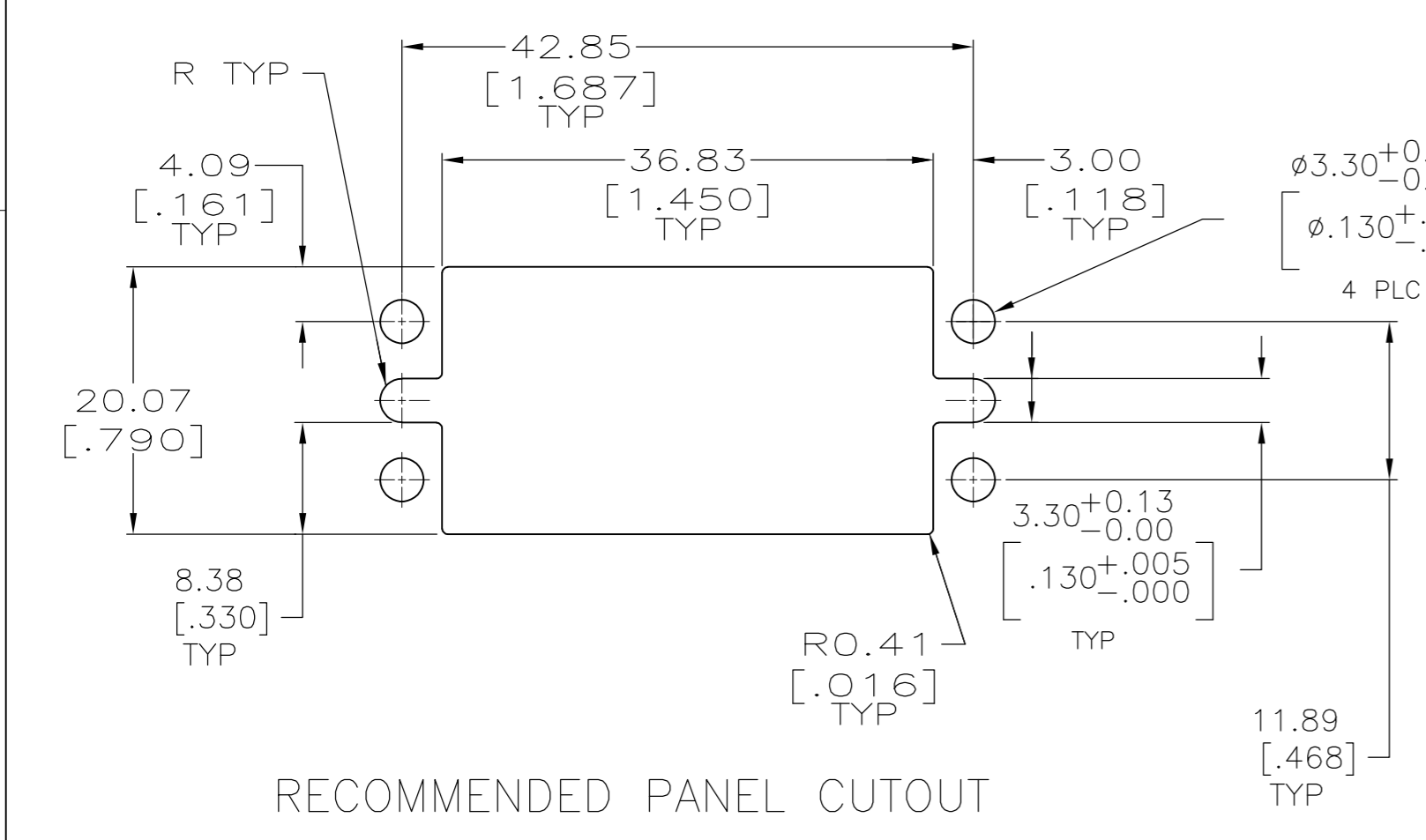
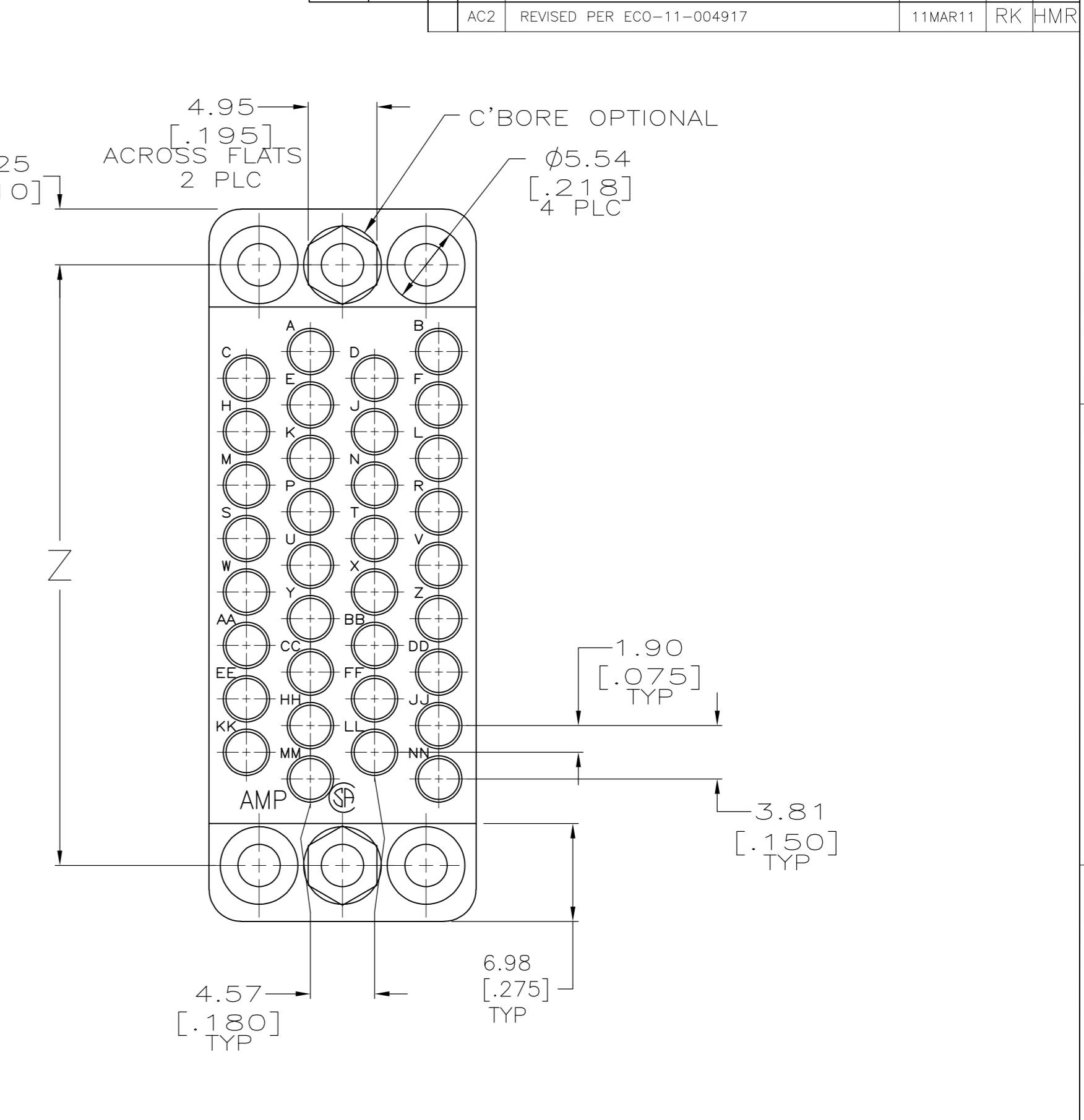
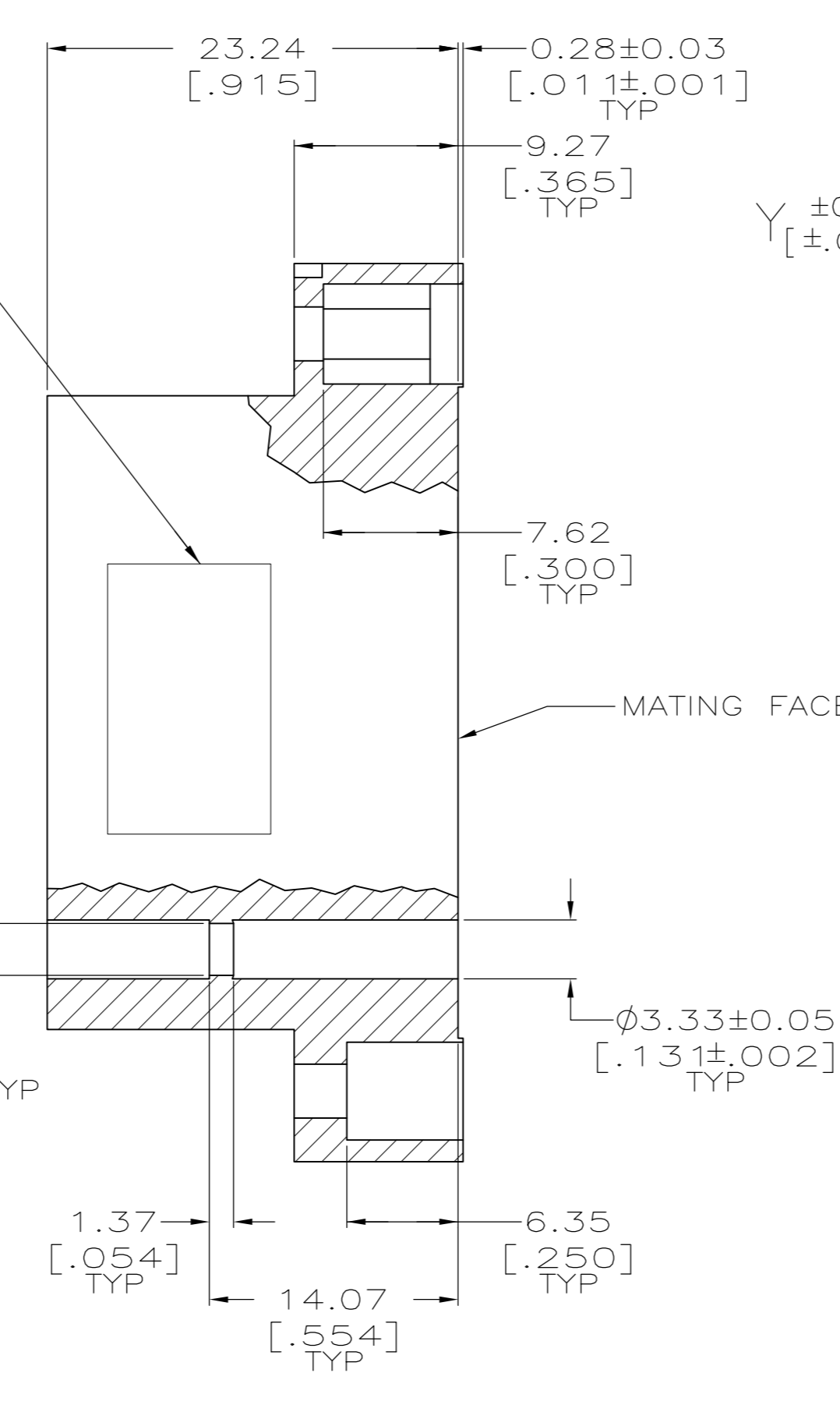
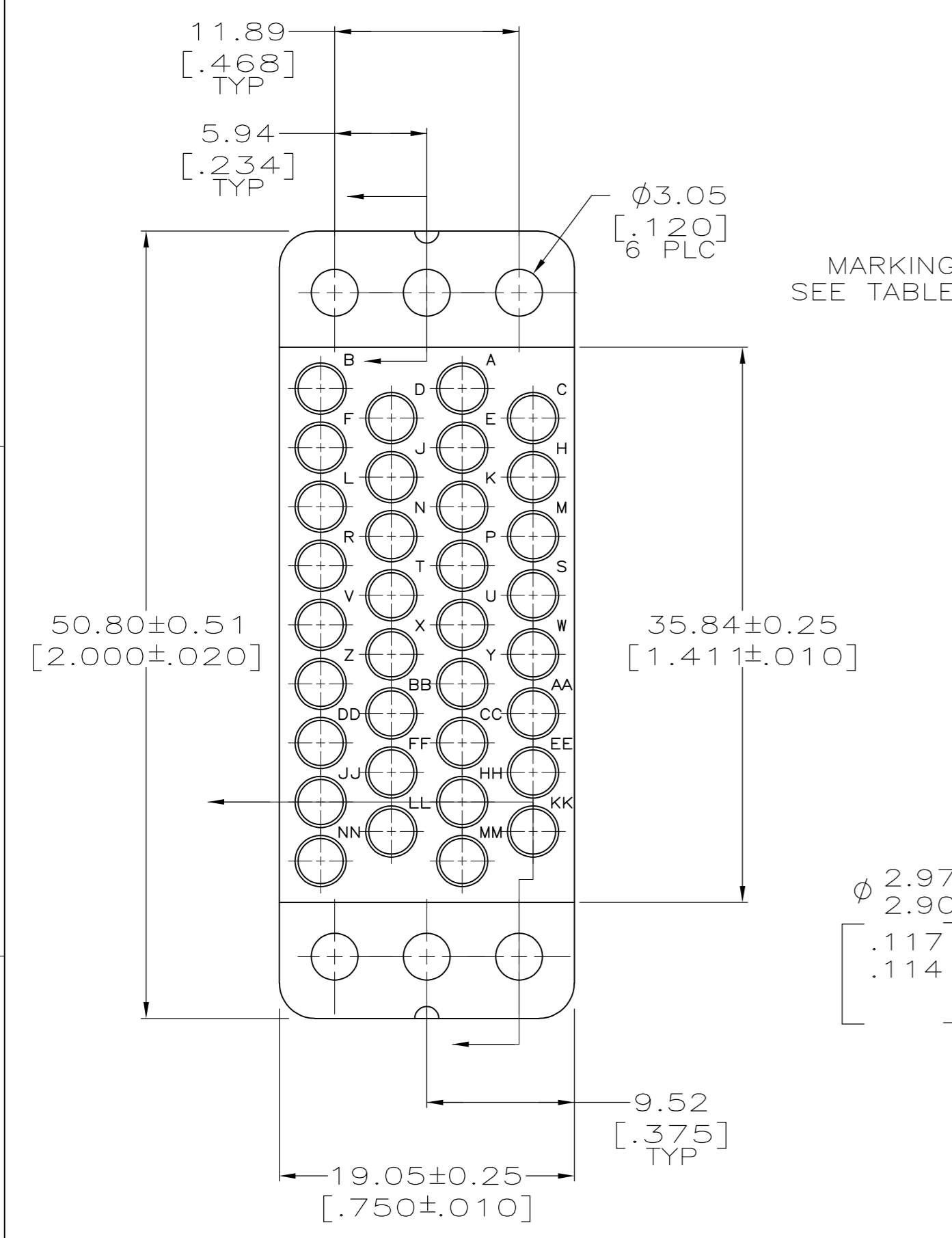


LOC		DIST		REVISIONS					
FT		8		P	LTR	DESCRIPTION	DATE	DWN	APVD
				AC2		REVISED PER ECO-11-004917	11MAR11	RK	HMR



- △ PHENOLIC PER MIL-M-14, TYPE CFG, BLACK.
- △ DIALLYL PHTHALATE PER MIL-M-14, TYPE SDG-F, BLUE.
- △ AMP PART NO THIS AREA. DATE CODE AT AMP'S OPTION.
- △ MARK KS 21303, L10.
- 5. WHEN MATING WITH BLOCK 201357, ACCOMODATES TYPE II, TYPE III+ OR TYPE VI #16 PIN OR SOCKET CONTACTS.
- △ OBSOLETE PARTS: OBSOLETE CIS STREAMLINING PER D.RENAUD/D.SINISI

△ 6	OBSOLETE	43.08 [1.696]	3.86 [.152]	△ 3 △ 4	△ 2	200838-9
		43.08 [1.696]	3.86 [.152]	△ 3	△ 2	200838-3
		42.82 [1.686]	3.99 [.157]	△ 3	△ 1	200838-2
		Z	Y	MARKING	MATERIAL	PART NUMBER

THIS DRAWING IS A CONTROLLED DOCUMENT.

DIMENSIONS: mm [INCHES]	TOLERANCES UNLESS OTHERWISE SPECIFIED:	DWN C.REIFSNYDER 07 DEC 95	TE Connectivity
	0 PLC ± -	CHK R.STONE 29 FEB 96	
	1 PLC ± -	APVD G.A.STEINHAUER 20 MAR 96	NAME
	2 PLC ± 0.13 [.005]	PRODUCT SPEC	BLOCK, FEMALE, 34 PLACE MINIATURE RECTANGULAR, M SERIES
	3 PLC ± -	APPLICATION SPEC	
	4 PLC ± -	WEIGHT	SIZE A2 CAGE CODE 00779 C=200838
MATERIAL SEE TABLE	FINISH -	CUSTOMER DRAWING	RESTRICTED TO -
		SCALE 3:1	SHEET 1 OF 1
			REV AC2