

CM5740Z171B-10

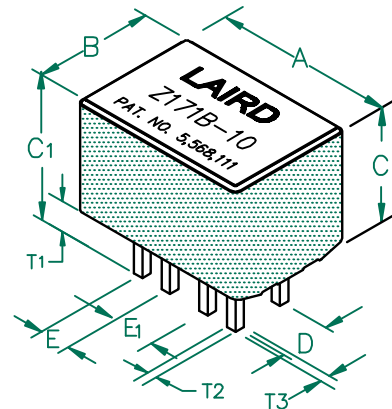
UNCONTROLLED DOCUMENT

PHYSICAL DIMENSIONS:

A	14.48 [.570]	+ 0.23 [.009]
B	10.03 [.395]	+ 0.15 [.006]
C	9.32 [.367]	+ 0.15 [.006]
C ₁	12.90 [.508]	MAX.
D	4.06 [.160]	+ 0.13 [.005]
E	2.54 [.100]	+ 0.13 [.005]
E ₁	3.43 [.135]	+ 0.13 [.005]

WIRE:

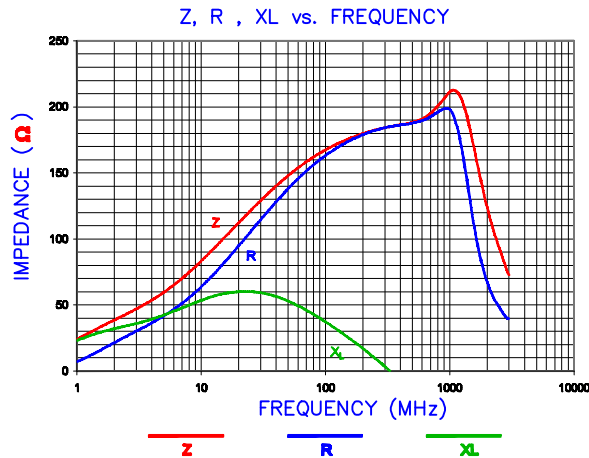
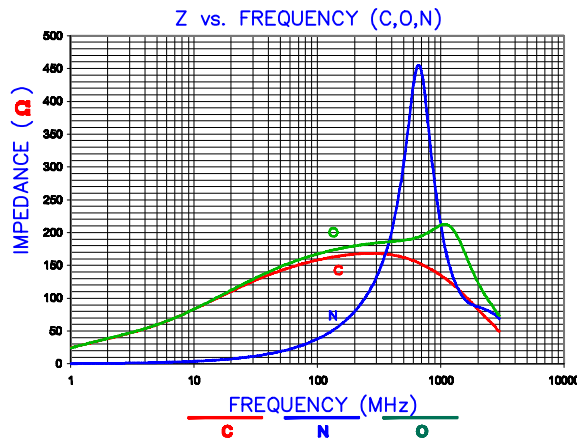
T ₁	3.12 [.123]	+ 0.25 [.010]
T ₂	0.76 [.030]	TYP.
T ₃	0.76 [.030]	TYP.



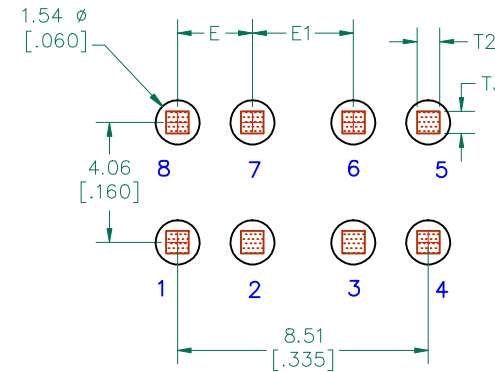
ELECTRICAL CHARACTERISTICS:		
Z @ 100MHz (Ω)	DCR (Ω)	Rated Current
Nominal	170	
Minimum	128	
Maximum	-	20,000 mA

NOTES: UNLESS OTHERWISE SPECIFIED

1. BULK PACKAGED, 825 PCS PER CASE.
2. COMPONENTS SHOULD BE ADEQUATELY PREHEATED BEFORE SOLDERING.
3. TERMINATION FINISH IS 100% TIN.
4. THIS PART HAS NO PIN POLARITY.
5. OPERATION TEMPERATURE (INCLUDING SELF-HEATING): -40 ~ +125°C.



HOLE PATTERNS FOR WAVE SOLDERING



DIMENSIONS ARE IN mm (INCHES).				This print is the property of Laird Tech. and is loaned in confidence subject to return upon request and with the understanding that no copies shall be made without the written consent of Laird Tech. All rights to design or invention are reserved.			
D	ADD NOTE 5	07/24/13	QIU	PROJECT/PART NUMBER:	REV	PART TYPE:	DRAWN BY:
C	JDATE COMPANY LOGO & KAPTON LABEL	11/13/08	JRK	CM5740Z171B-10	D	ASSEMBLY	JRK
B	CHG ISO VIEW UPDATE COMPANY LOGO	06/15/07	JRK	DATE:	6/11/04	SCALE:	NTS
A	ORIGINAL DRAFT	6/11/04	JRK	CAD #		SHEET:	1 of 2
REV	DESCRIPTION	DATE	INT	CM5740Z171B-10-D-1	TOOL #	H0570	

