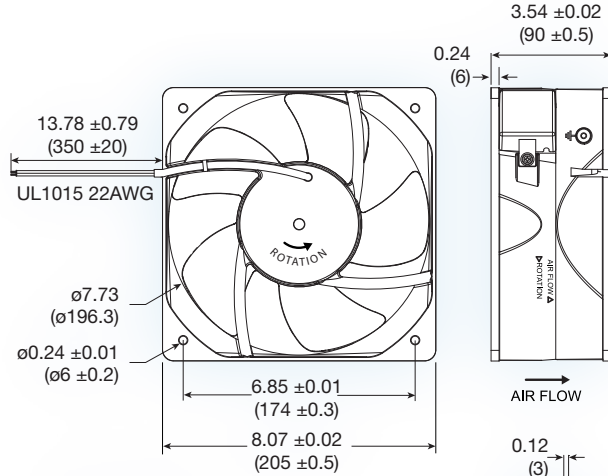
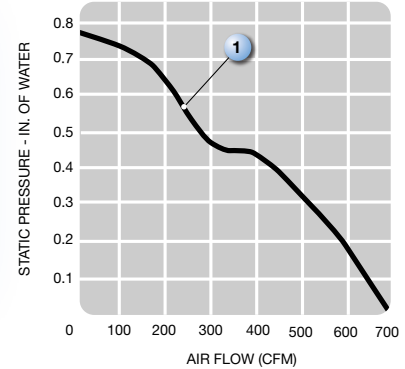
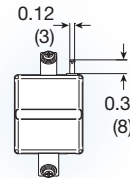


UF20JC series



LEAD WIRE TYPE

TERMINAL TYPE



(205 x 205 x 90 mm)

8.07 x 8.07 x 3.54 inches

Operating voltage: 115 or 230 VAC

Construction: aluminum die cast frame,
UL94V-0 PBT impeller

Bearing option: ball bearing

Motor: shaded pole

Air Flow: exhaust over struts

Connection: terminal or 22 AWG lead wire

Model No.	Rated Voltage V	Freq. HZ	Input Power W	Rated Cur. A	Locked Cur. A	Speed RPM	Air Volume		Max. Static Pressure (H ₂ O)		Sound Noise dBa	Weight kg
							M ³ /Min.	CFM	MM	INCH		
UF20JC12 - H	115	60	98	0.90	1.22	3,200	19.3	680	19.8	0.77	71	2.40
UF20JC23 - H	230	60	98	0.45	0.61	3,200	19.3	680	19.8	0.77	71	2.40

