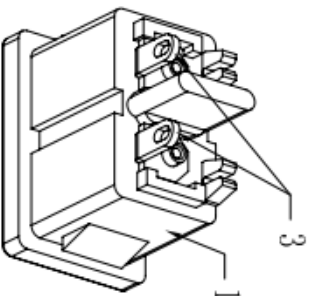
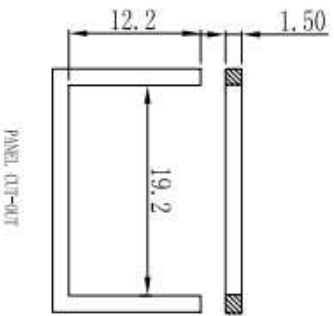
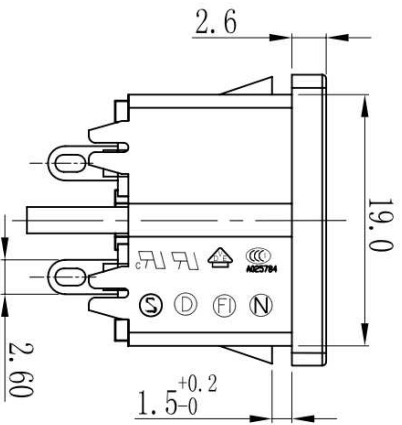


**NOTES:**

- 1. Insulator: PBT
- 2. Contact : PIN Alloy COPPER  $\phi$ 2.36 Nickel PLATING
- 3. Soldering: PIN Alloy COPPER TIN PLATING
- 4. Electrical: 2.5A /250V~
- 5. Approval:



ITEM	PART NAME	QTY	MATERIAL
3	TERMINAL	2	Cu Plated Sn
2	Pin	2	Cu Plated Ni
1	BODY	1	PBT

**RoHS compliant**

Scale	1:1
<b>TOLERANCE</b>	
0-10	±0.1
10-30	±0.3
30-100	±0.5
<b>DIM</b>	<b>TOL</b>
<b>UNIT</b>	mm

Id.	Modification	Date	Name
①	Drawn	14.12.2007	N.Schulz
②	Update	08.07.2009	Dean
③	Change of the plant	17.01.2013	Winnie

**ASSMANN**  
WSW/ components

Customer-No.	Date	Name
	14.12.2007	N.Schulz
	17.01.2013	Winnie

Drawing-No.	ASSMANN WSW-No.
ASS 0889G CO	A-8F/SP

Replace	SHEET
ASS 0889G CO	rev03

1

2

3

4

5

6

7

194