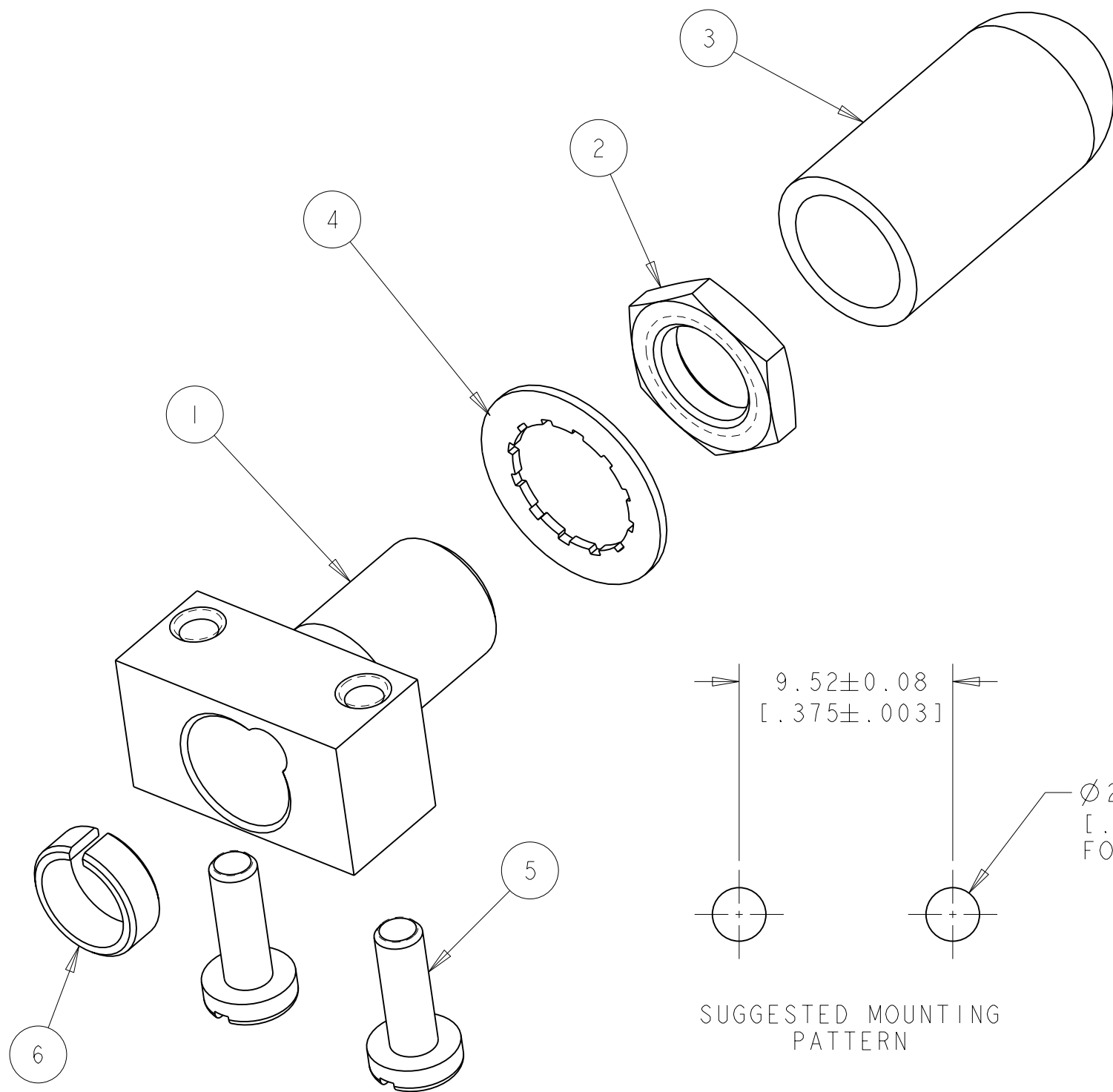
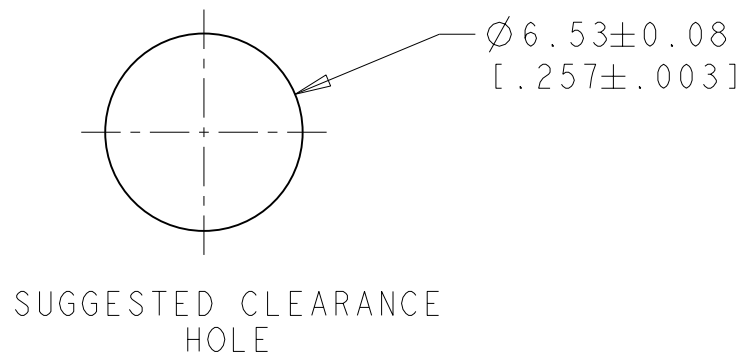


LOC	DIST	REVISIONS					
		P	LTR	DESCRIPTION	DATE	DWN	APVD
CE	00		P	REVISE PER ECR-05-009613	28SEP2005	BB	LS



1. MAX. RECOMMENDED PANEL THICKNESS 1.575[.062].
  2. ACCEPTS ACTIVE DEVICES: TO-18 TYPE, TO-46 TYPE, TO-52 TYPE, AND HONEYWELL LOW COST PLASTIC SWEETSPOT.
- △ 3 BULK PACKAGED.

QTY	PART NUMBER	DESCRIPTION	ITEM NO.
1	501084-1	ALIGNMENT RING	6
2	2-22798-2	#2-56 UNC-2A SCREW	5
1	1-22145-3	LOCK WASHER	4
1	1828874-6	PROTECTIVE CAP	3
1	981155-4	JAM NUT	2
1	501057-2	ACTIVE DEVICE PCB MOUNT	1
-1	PART NUMBER	DESCRIPTION	ITEM NO.



SUGGESTED MOUNTING PATTERN

DIMENSIONS:		TOLERANCES UNLESS OTHERWISE SPECIFIED:	
mm [INCHES]			
		0 PLC	±-
		1 PLC	±-
		2 PLC	±-
		3 PLC	±-
		4 PLC	±-
		ANGLES	±-
MATERIAL	-	FINISH	-

DWN	B. BRIGGS	28SEP2005	Tyco Electronics Harrisburg, PA 17105-3608		
CHK	L. SAUERWEIN	28SEP2005			
APVD	S. BUCHTER	28SEP2005			
NAME PRODUCT SPEC APPLICATION SPEC			ACTIVE DEVICE MOUNT KIT, PCB AND PANEL MOUNT, FSMA		
WEIGHT	-	SIZE	CAGE CODE	DRAWING NO	RESTRICTED TO
CUSTOMER DRAWING		A3	00779	501055	-
SCALE		SHEET		OF	REV
4:1		1		1	P