

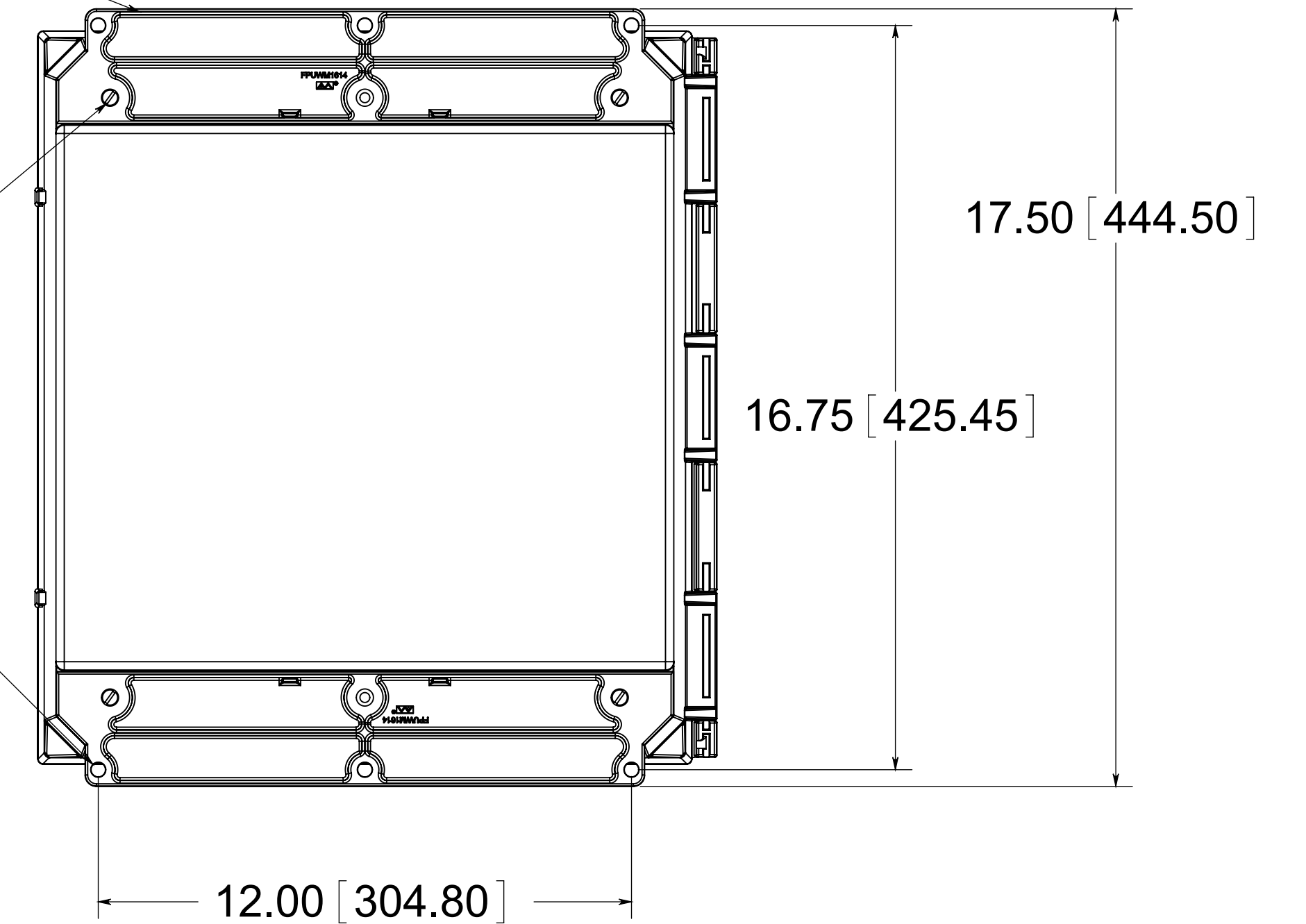
OPTIONAL BACK PANEL
 0.100 [2.54] TH'K- ALUMINUM
 0.075 [1.91] TH'K- WHITE STEEL & GALVANNEALED
 0.125 [3.18] TH'K- FIBERGLASS

(2) POLYCARBONATE
 FLANGES (GLUED)

(4) EACH #10-32 BRASS
 INSERTS, AND STAINLESS
 STEEL FLANGE AND
 FEET SCREWS

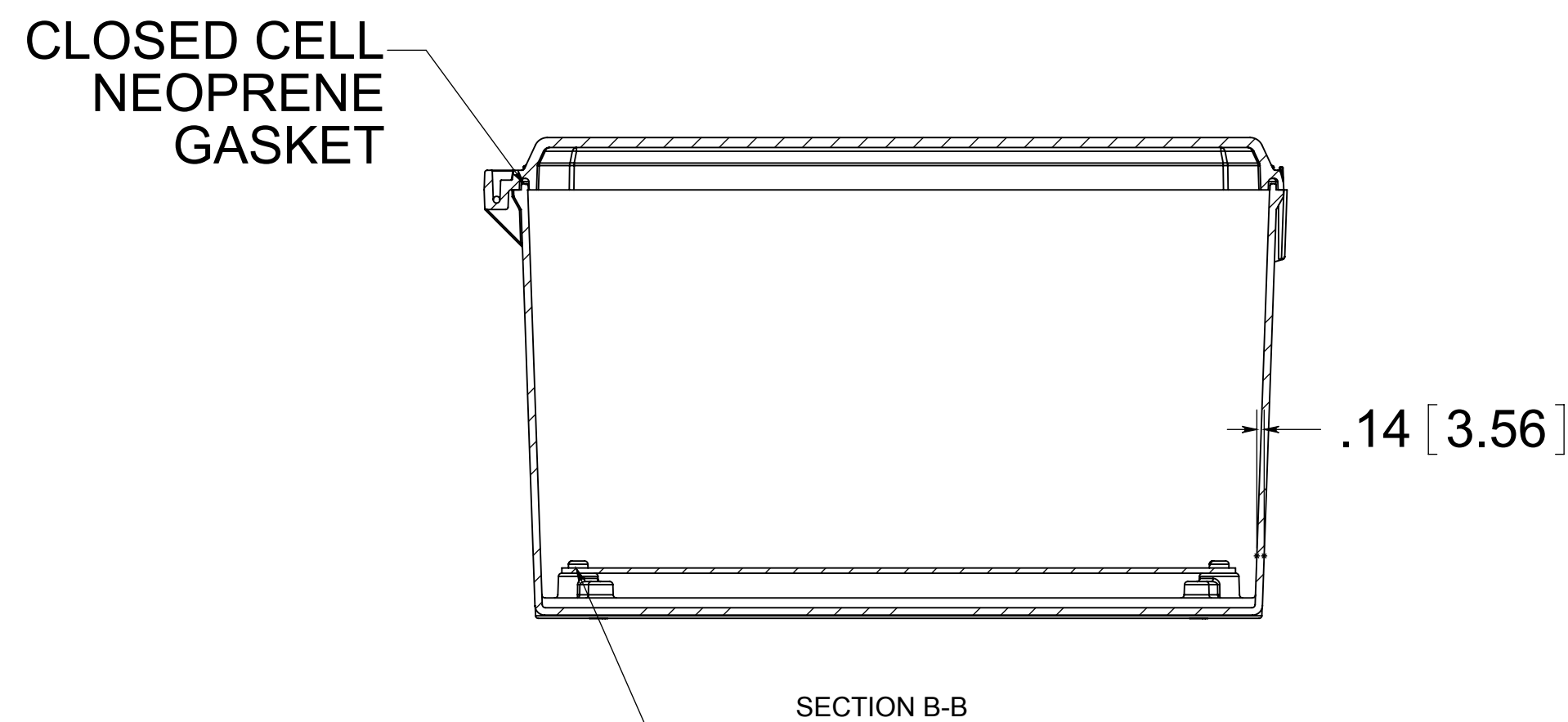
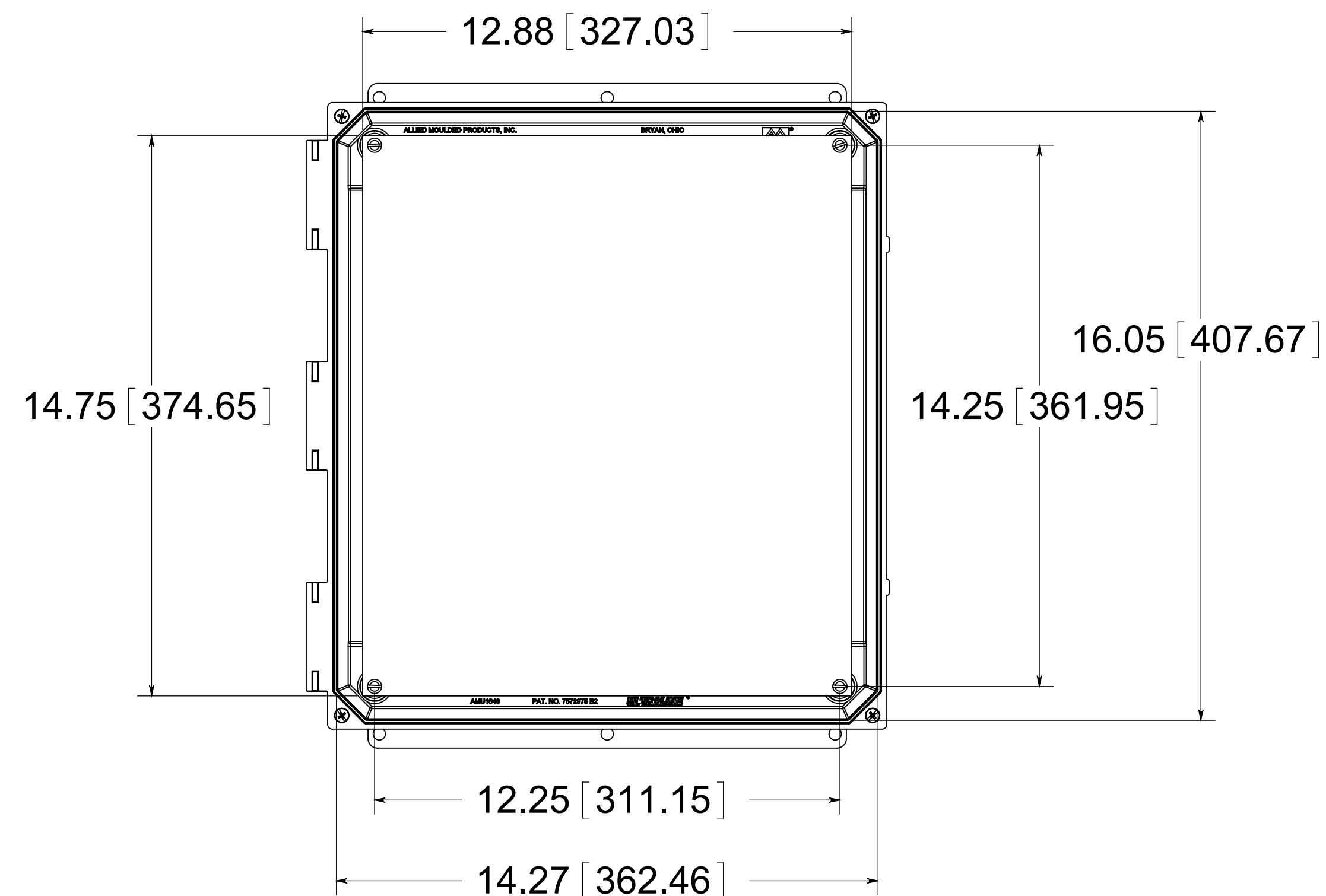
(4) ϕ .32 [8.20]

BACK VIEW



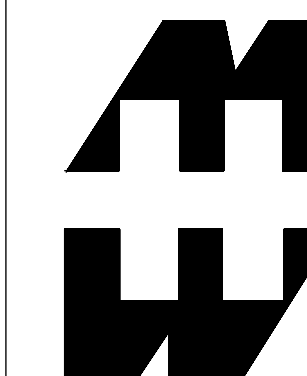
(4) EACH #10-32 BRASS INSERTS
 AND STAINLESS STEEL
 CAPTIVE COVER SCREWS
 WITH RETAINING O-RING

FRONT VIEW
 WITH COVER REMOVED
 AND BACK PANEL DISPLAYED



(4) EACH #10-32 BRASS
 INSERTS AND PLATED
 CARBON STEEL SCREWS

MATERIAL:
 BOX- COMPRESSION MOLDED FIBERGLASS REINFORCED POLYESTER
 COVER- COMPRESSION MOLDED FIBERGLASS REINFORCED POLYESTER
 CLEAR COVER AND WINDOWS- POLYCARBONATE



PART No. PJU16148CCF
 for more information visit
www.hammfg.com
 Data subject to change without notice
 Drawing Not to Scale