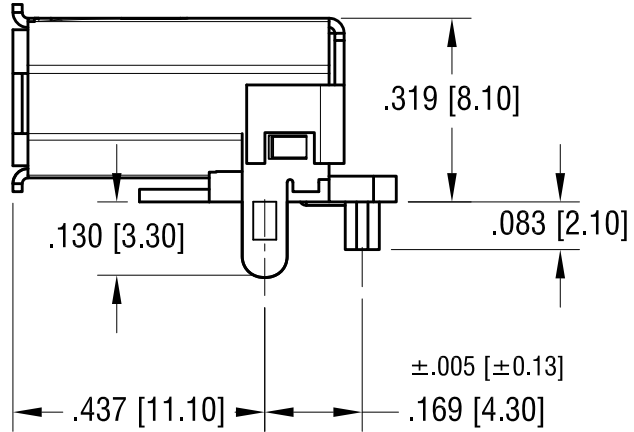
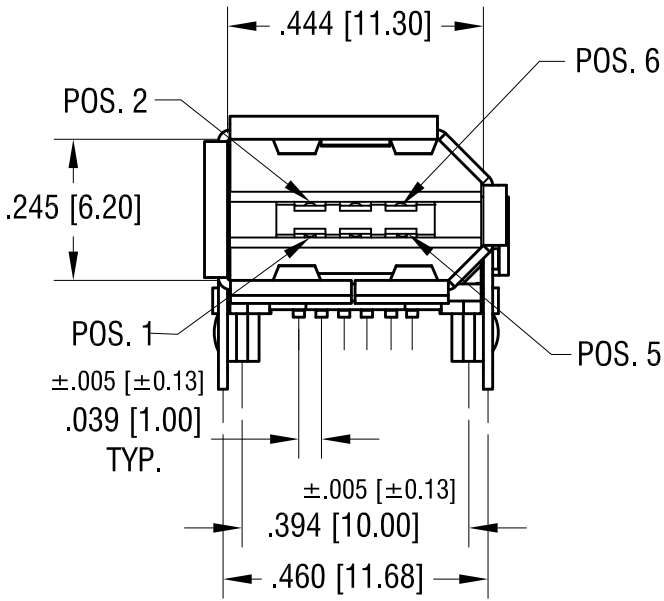
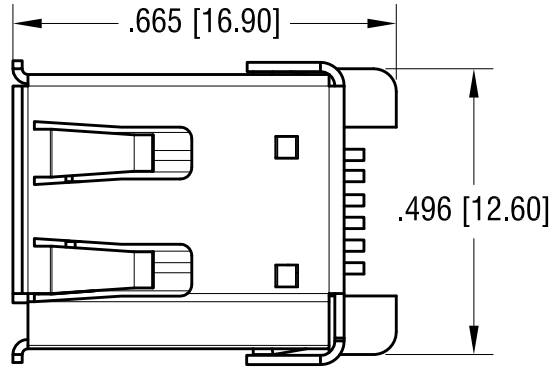
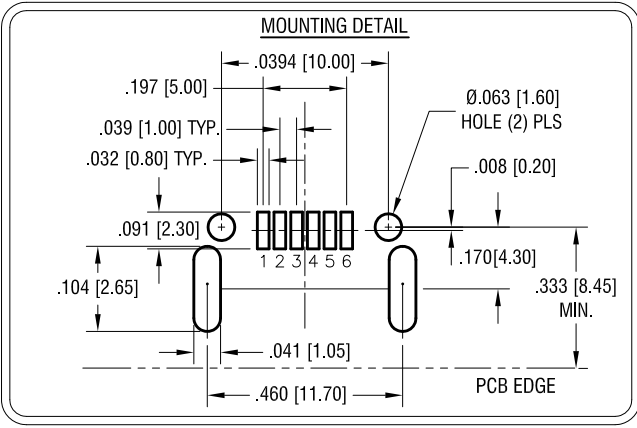


THIS DOCUMENT IS THE PROPERTY OF KEYSTONE ELECTRONICS CORP. AND SHALL NOT BE REPRODUCED, DISTRIBUTED OR USED AS A BASIS FOR MANUFACTURE WITHOUT PRIOR WRITTEN PERMISSION FROM KEYSTONE ELECTRONICS CORP.

ACTUAL SIZE



Notes:

- 1. Shell: Mat'l: Steel, Nickel Plated
Finish: Tin Plate over
- 2. Insulator: Mat'l: LCP, UL 94V-0
- 3. Contacts: Mat'l: Phosphor Bronze
Finish: Gold Plate over Nickel Plate on Contact Area.
Tin Plate over Nickel Plate on Solder Tail.
- 4. Electrical Specifications
Rated current : 1.5 A
Insulation Resistance:
500 Megohms Min. at 500 V/DC for 1 minute
Withstanding voltage: 500 VAC/ minute
Contact Resistance: 50 mΩ max.

3.15.18	CHANGE AS PER ECN 18-015	C
6.7.05	CHANGE AS PER ECN 05-030	B
7.26.99	CHANGE AS PER ECN 99-053	A
DATE	DESCRIPTION	REV.

KEYSTONE ELECTRONICS CORP.			
www.keyelco.com • NEW HYDE PARK, NY 11040 • Tel (516) 328-7500			
PART NAME			
IEEE 1394 'FIREWIRE' SM HORIZONTAL SOCKET			
MATERIAL			
AS NOTED			
FINISH		DRN BY	DATE
AS NOTED		BOONE	5.22.98
		APP'D	SCALE
		LN	3X
TOLERANCES	INCH [MM]	CODE	DWG NO.
DECIMAL	± .010 [± 0.25]	C	927
ANGULAR	± 1°		
UNLESS OTHERWISE SPECIFIED			