

NOTES:

1. MATERIALS & FINISHES:

BODY - BRASS, BRIGHT ACID TIN PLATED
 CONTACT - BERYLLIUM COPPER, SILVER PLATED
 INSULATOR - TEFLON OR PFA 340, DARK BLUE, 285C

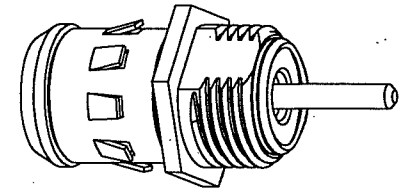
2. ELECTRICAL:

- A. 15 AMPS CONTINUOUS CURRENT @ 60Hz, 75 ±15 VRMS SQUARE WAVE WITH AN AMBIENT TEMPERATURE OF 100° C.
- B. 30 AMPS FOR 15 MINUTES @ 60Hz, 75 ±15 VRMS SQUARE WAVE WITH NO CATASTROPHIC FAILURE.

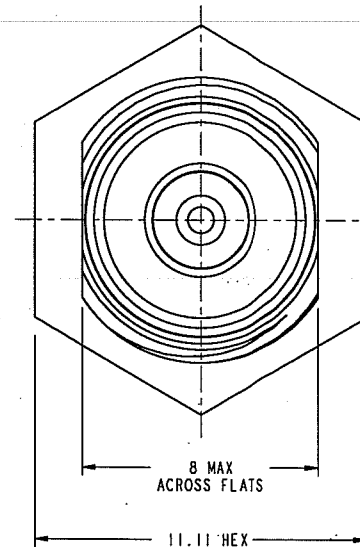
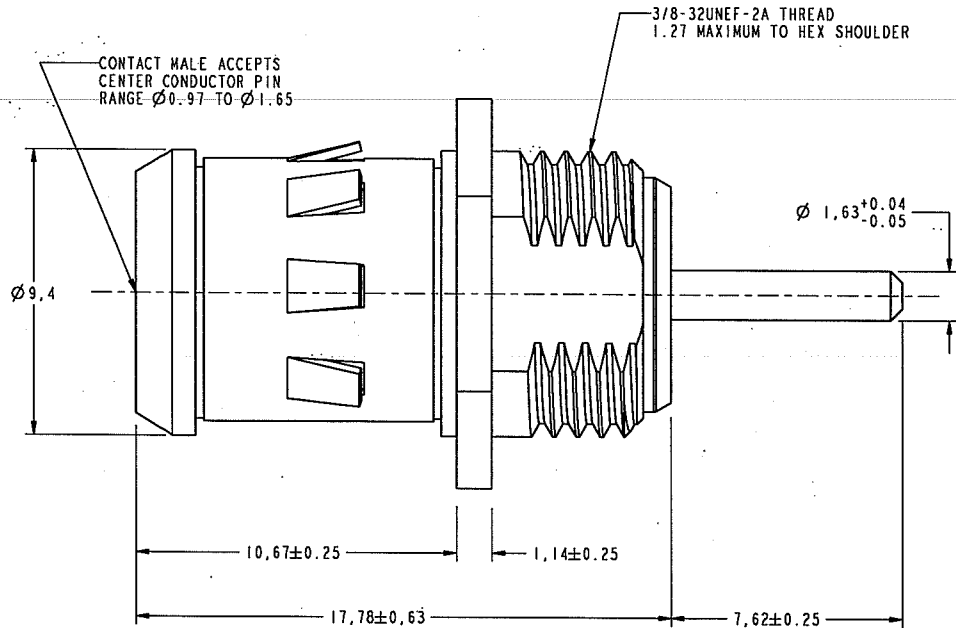
THIRD ANGLE PROJ.

REVISIONS

REV	DESCRIPTION	DATE	ECO	APPR
A	RELEASE TO MFG.	13-Aug-07		SH
B	SEE SHEET 1ARD-DM07082201K	31-Aug-07		SH



SCALE 3.0 TO 1



CUSTOMER OUTLINE DRAWING
 ALL OTHER SHEETS ARE FOR INTERNAL USE ONLY

UNLESS OTHERWISE SPECIFIED, DIMENSIONS ARE IN METRIC AND TOLERANCES ARE:
 0.5 - 6mm ±0.1mm
 6 - 30mm ±0.2mm
 30 - 120mm ±0.3mm
 ANGLES ±1°

NOTICE - These drawings, specifications, or other data (1) are, and remain the property of Amphenol Corp. (2) must be returned upon request; and (3) are confidential and not to be disclosed to any person other than those to whom they are given by Amphenol Corp. The furnishing of these drawings, specifications, or other data by Amphenol Corp., or to any other person to anyone for any purpose is not to be regarded by implication or otherwise in any manner licensing, granting rights to permitting such holder or any other person to manufacture, use or sell any product, process or design, patented or otherwise, that may in any way be related to or disclosed by said drawings, specifications, or other data.

MATERIAL	DRAWN J. DEL NEGRO	DATE 01-Aug-07
REFERENCE	ENGINEER J. DEL NEGRO	DATE 01-Aug-07
CONFIGURATION LEVEL: Released	APPROVED J. DEL NEGRO	DATE
FINISH	CAD FILE 1:\F&G\531-41053-1	

TITLE
 'G' RECEPTACLE (15
 AMP) MACHINED BODY

SCALE: 6.0:1.0	SHEET 2 OF 2
DWG SIZE B	CODE ID 74868
REV B	

Amphenol RF Danbury CT USA, Tainan, Taiwan, Shenzhen, China www.amphenolrf.com	
DRAWING NO. 531-40024-1	
ITEM NO. 531-40024-1	
PART NO. 531-40024-1	