

## Pin/socket, panel feed-through - SM-7EE1N8AS000 - 1605824

Please be informed that the data shown in this PDF Document is generated from our Online Catalog. Please find the complete data in the user's documentation. Our General Terms of Use for Downloads are valid (<http://download.phoenixcontact.com>)



Pin/socket, panel feed-through, straight, M40, M40, Number of positions: 4+3+PE, Type of contact: Socket, Crimp connection, Axial O-ring, 4x Ø4,2, Shielded: Yes, Cable cross section: 0 mm...0 mm



### Key commercial data

Packing unit	1 PCE
Weight per Piece (excluding packing)	707.19 GRM
Custom tariff number	85444290
Country of origin	Germany

### Technical data

#### General

Type of locking	M40
Coding	N
Contact connection method	Crimp connection
Type of contacts	Socket
Number of positions	8
Nominal current per power contact at 25°C	30 A
Nominal current per signal contact at 25°C	70 A
Conductor entry	0 mm ... 0 mm
Mounting type	4x Ø4,2

#### Ambient conditions

Ambient temperature	-20 °C ... 125 °C
Degree of protection	IP67

#### Material

Housing material	Turned parts: copper zinc alloy (CuZn), die-cast parts: zinc (GD-Zn)
Insulator material	PA 66

# Pin/socket, panel feed-through - SM-7EE1N8AS000 - 1605824

## Technical data

### Material

Gasket and O-ring material	FPM
----------------------------	-----

### Specifications according to DIN EN 61984:2001

Installation height max.	3000 m
Nominal / operating voltage of power contacts	250 V
Rated surge voltage of power contacts	4 kV
Surge voltage category of power contacts	III
Pollution degree of power contacts	3
Nominal / operating voltage of signal contacts	630 V
Rated surge voltage of signal contacts	6 kV
Surge voltage category of signal contacts	III
Pollution degree of signal contacts	3

## Classifications

### eCl@ss

eCl@ss 4.0	272607xx
eCl@ss 4.1	27260701
eCl@ss 5.0	27260701
eCl@ss 5.1	27260701
eCl@ss 6.0	27260708
eCl@ss 7.0	27440312
eCl@ss 8.0	27440312

### ETIM

ETIM 3.0	EC001121
ETIM 4.0	EC001121
ETIM 5.0	EC002635

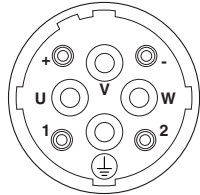
### UNSPSC

UNSPSC 6.01	43172015
UNSPSC 7.0901	43201404
UNSPSC 11	43172015
UNSPSC 12.01	43201404
UNSPSC 13.2	43201404

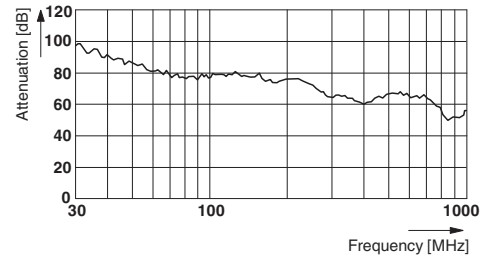
## Drawings

# Pin/socket, panel feed-through - SM-7EE1N8AS000 - 1605824

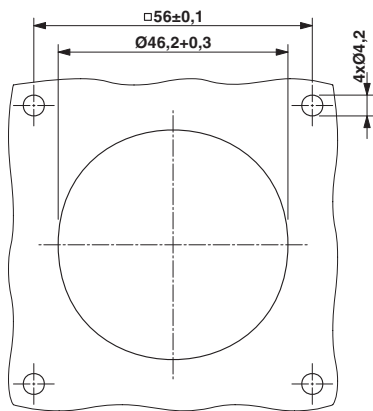
Schematic diagram



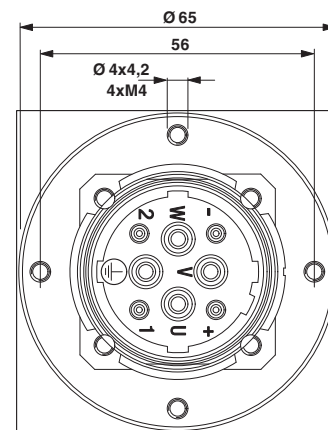
Diagram



Dimensioned drawing



Dimensioned drawing



Dimensioned drawing

