

PART
NAME

CABLE RING

PART
No.

CM-1220

MATERIAL: 14 GA. STEEL

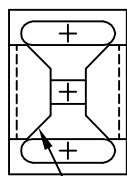
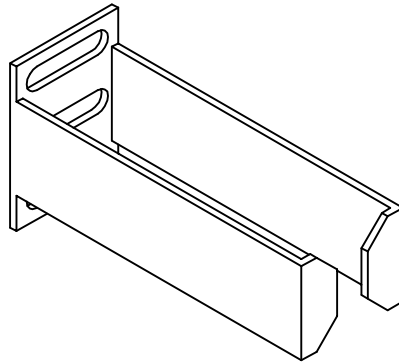
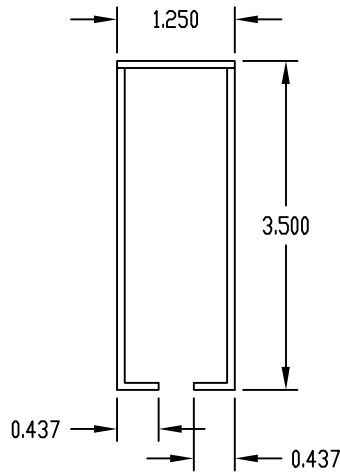
FINISH: SMOOTH BLACK

SUPPLIED WITH:

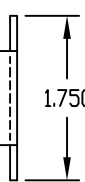
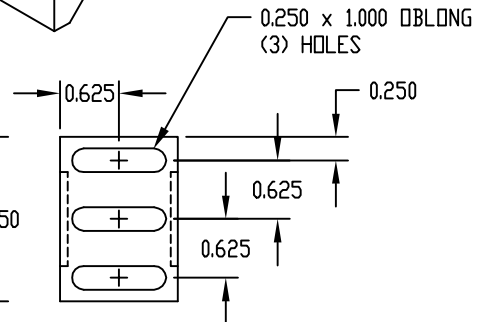
QTY. (2) #10-32 x 5/8 LG. SCREWS

QTY. (2) #12-24 x 1/2 LG. SCREWS

QTY. (2) #12-24 HEX NUTS



0.250 x 0.250 CHAMFER
(4) PLACES



PART
NAME

CABLE RING

PART
No.

CM-1221

MATERIAL: 14 GA. STEEL

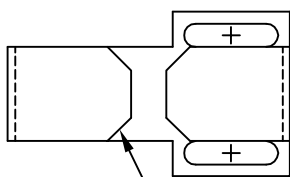
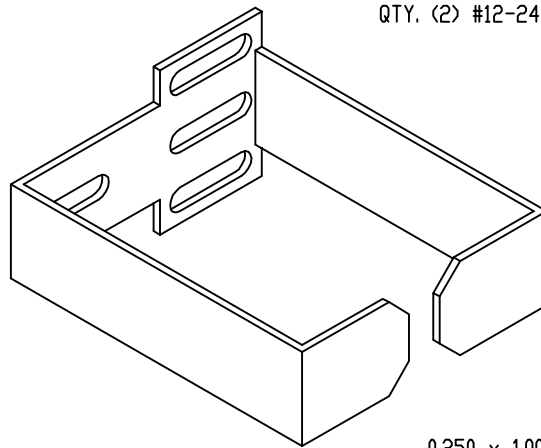
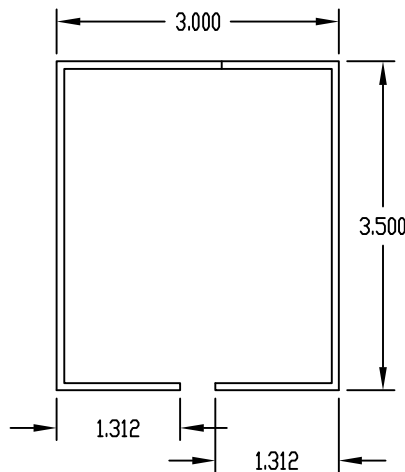
FINISH: SMOOTH BLACK

SUPPLIED WITH:

QTY. (2) #10-32 x 5/8 LG. SCREWS

QTY. (2) #12-24 x 1/2 LG. SCREWS

QTY. (2) #12-24 HEX NUTS



0.250 x 0.250 CHAMFER
(4) PLACES

