

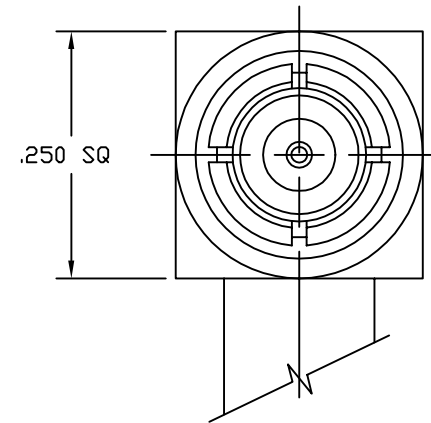
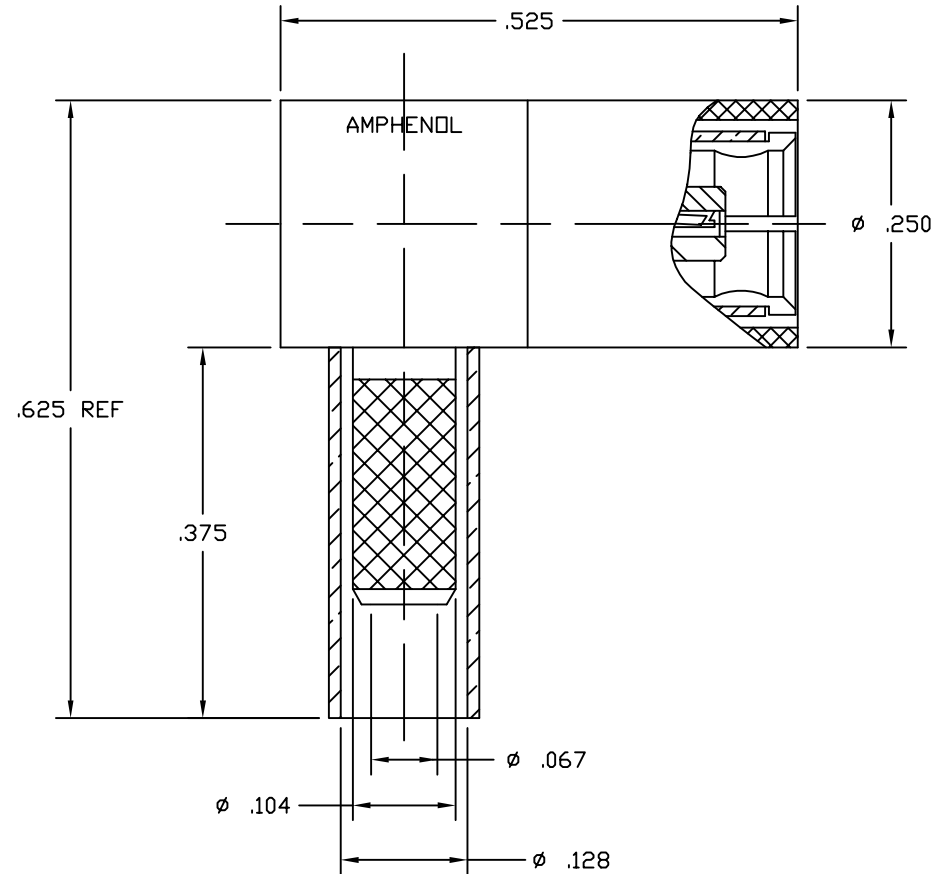
NOTES:

- DO NOT SCALE THIS DRAWING.
- PLATING MUST CONFORM TO AMPHENOL SPEC 349-50560. CONTACTS ARE GOLD PLATED, OTHER METAL PARTS ARE NICKEL PLATED.
- FOR ASSEMBLY INSTRUCTIONS SEE AMPHENOL SPEC 349-50521, SHEET 3.

903-535P-71A

REVISIONS

DRAWING NO.	REV	DESCRIPTION	DATE	ECO	APPR
THIRD ANGLE PROJ.	A	RELEASE TO MFG.	8/22/96	41479	PB/BG
	B	SEE SHEET ONE FOR REVISIONS	4/30/97	41910	CPM/



CUSTOMER OUTLINE DRAWING
ALL OTHER SHEETS ARE FOR INTERNAL USE ONLY

UNLESS OTHERWISE SPECIFIED, DIMENSIONS ARE IN INCHES AND TOLERANCES ARE:
2 PLACE DECIMAL $\pm .015$ (0,381 mm) 3 PLACE DECIMAL $\pm .005$ (0,127 mm) ANGLES $\pm 1^\circ$

NOTICE - These drawings, specifications, or other data (1) are, and remain the property of Amphenol Corp. (2) must be returned upon request; and (3) are confidential and not to be disclosed to any person other than those to whom they are given by Amphenol Corp. The furnishing of these drawings, specifications, or other data by Amphenol Corp., or to any other person to anyone for any purpose is not to be regarded by implication or otherwise in any manner licensing, granting rights or permitting such holder or any other person to manufacture, use or sell any product, process or design, patented or otherwise, that may in any way be related to or disclosed by said drawings, specifications, or other data.

MATERIAL

REFERENCE
EAR 966260

DRAWN
P. BRENZEL

ENGINEER
P. BRENZEL

APPROVED
B. GLEISSNER

CAD FILE
H:\PETE\SMB\903\ASSY\535P71AC

DATE
7-22-96

DATE
7-22-96

DATE
8-20-96

TITLE

SMB 75 OHM
ANGLE PLUG
FOR RG-179/U

Amphenol
Amphenol Corporation
RF/Microwave Operations
Danbury, Conn. U.S.A. 06810

SCALE: 6:1 SHEET 2 OF 2

CODE ID 74868	DWG SIZE B	DRAWING NO. 903-535P-71A	REV B
------------------	---------------	-----------------------------	----------