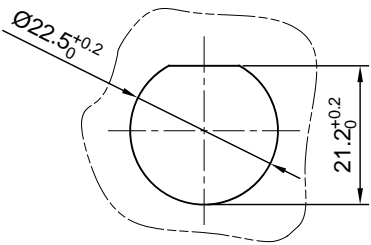
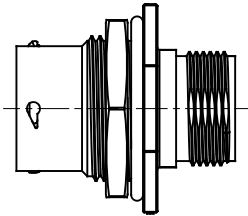
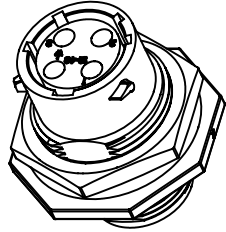
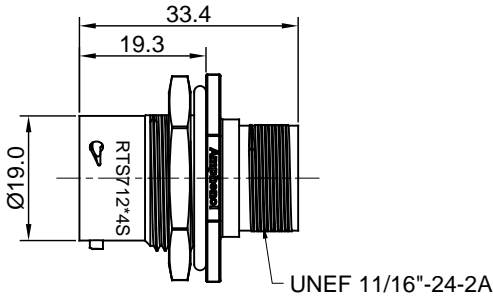
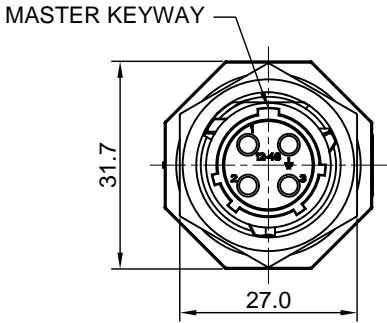


REVISIONS					
REV	ECO	DESCRIPTION	DATE	BY	APPR
A1		FIRST RELEASED	Apr.05.2016	Drack	Tommy



MOUNTING HOLE

NOTES : (UNLESS OTHERWISE SPECIFIED)

- MATERIAL :
  - SHELL : THERMOPLASTIC , UL94 V-0.
  - INSERT : THERMOPLASTIC , UL94 V-0.
  - O-RING : NBR OR SR
  - SEAL GASKET : NBR OR SR.
  - JAM NUT : AL ALLOY , BLACK ANODIZING.
- SPECIFICATIONS :
  - 2.1, RATED CURRENT : 13A (MAX).
  - 2.2, RATED VOLTAGE : 500V(AC/DC).
  - 2.3, OPERATING TEMPERATURE : SEE TABLE.
  - 2.4, DIELECTRIC WITHSTANDING VOLTAGE : LESS THAN 2 MILLIAMPS CURRENT LEAKAGE@2000 VOLTS AC.
  - 2.5, INSULATION RESISTANCE : 5000 MEGOHMS MIN.
  - 2.6, IP-CLASS : IP67.
  - 2.7, MATING CYCLES DURABILITY : 500 CYCLES MIN.
  - 2.8, RoHS COMPLIANT.
- SUITABLE CONTACTS : 16# SOCKET CONTACTS.
- ALL DIMENSIONS ARE FOR REFERENCE USE ONLY.

KEY	PART NUMBER	
		-40°C ~ 105°C
N	RTS712N4S	RTS712N4S03

QUANTITY	PART NUMBER	DESCRIPTION	ITEM
<b>MATERIALS LIST</b>			
UNLESS OTHERWISE SPECIFIED 1) All dimensions are in metric(mm). 2) Tolerances are as follows: 1 PL DEC ±0.30   Fractions: ±1/64 2 PL DEC ±0.15   Angles ±1° 3 PL DEC ±0.08 3) Note reference =		SIGNATURES DRAWN: Drack CHECKED: ENGINEER: APPROVAL:	DATE Apr.05.2016
MATERIAL SPECIFICATIONS:		<b>Amphenol</b> Sine Systems - www.amphenol-sine.com 44724 Morley Drive Clinton Township, MI 48036	
PROCESS SPECIFICATIONS:		ECO-MATE, RECEPTACLE, JAM NUT, 4POS, SOCKET CONTACT, SIZE 12	
NEXT ASSY:	THIS DRAWING IS SUPPLIED FOR INFORMATION ONLY. DESIGN FEATURES, SPECIFICATIONS AND PERFORMANCE DATA SHOWN HEREON ARE THE PROPERTY OF THE AMPHENOL CORPORATION. NO RIGHTS OF REPRODUCTION ARE IMPLIED. ALL DIMENSIONS ARE SUBJECT TO NORMAL MANUFACTURING VARIATIONS.	SIZE B C-	DWG NO. RTS712*4Sxx REVISION A1
	SCALE NONE	SHEET 1 OF 1	

TITLE: ECO-MATE, RECEPTACLE, JAM NUT, 4POS, SOCKET CONTACT, SIZE 12  
DWG NO.: RTS712\*4Sxx  
REV: A1  
SH: 1  
OF: 1