

NOTES: UNLESS OTHERWISE SPECIFIED

1. CONSTRUCTION: HOUSING & PLUNGER: MOLDED NYLON TYPE 6,6. AVAILABLE IN TEN COLORS.

CONTACT BLADE: BERYLLIUM COPPER PER QQ-C-533. GOLD PLATED PER MIL-G-45204 B TYPE 1 0.00001" [0.0000254] THICK MINIMUM.

SPRING: STAINLESS STEEL TYPE 302.

2. PERFORMANCE:

MAXIMUM CURRENT: 5.9 AMPS WITH A 77° TEMPERATURE RISE.

MAXIMUM VOLTAGE: 5.4 KV

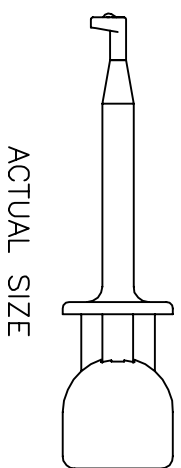
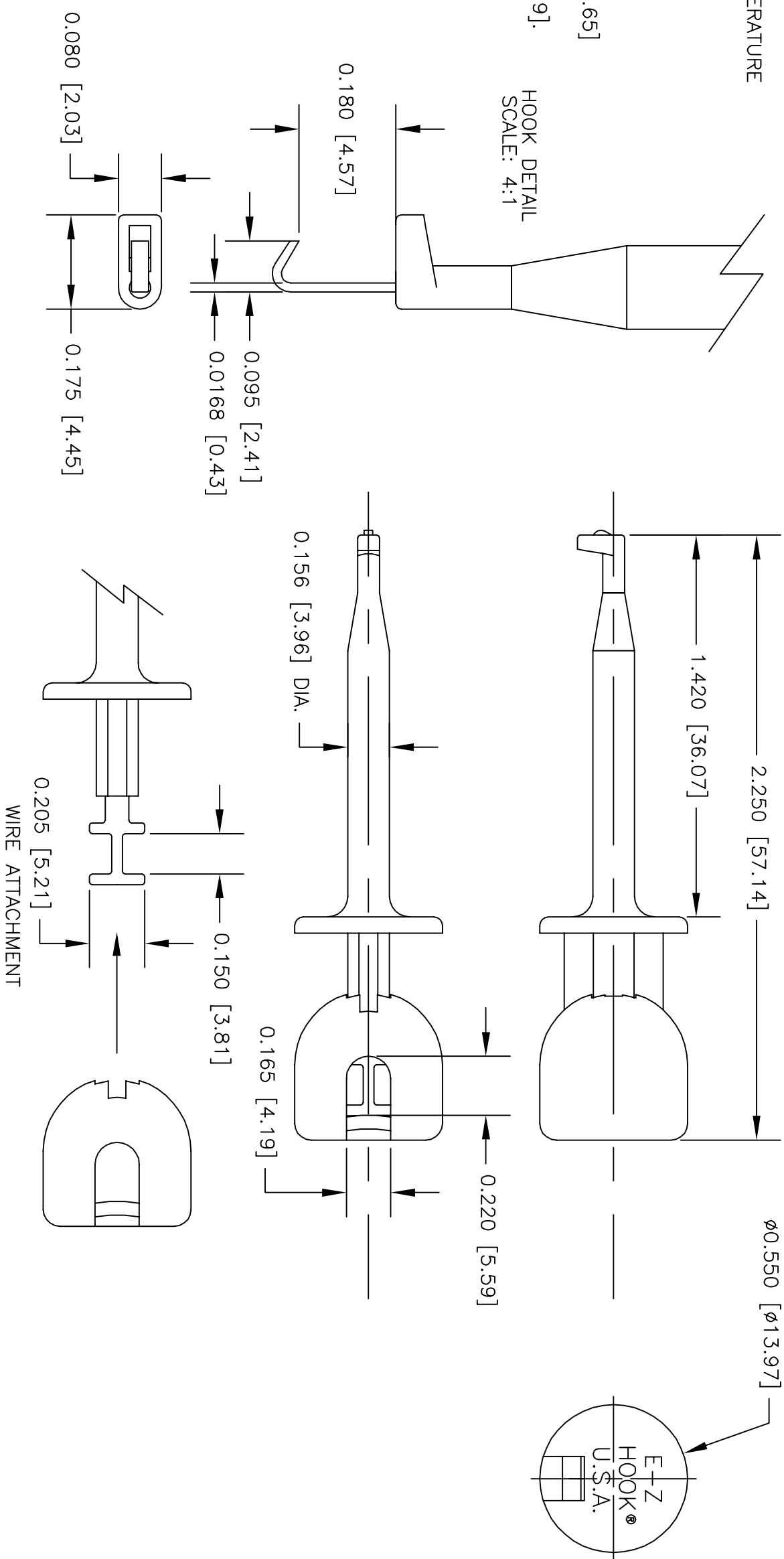
MAXIMUM TEMPERATURE: 200°F (93°C)

3. FEATURES:

HOOK FITS COMPONENTS UP TO 0.040" [1.01].

TIP HAS BEEN EXTENDED TO PROVIDE 0.065" [1.65] X 0.040" [1.01] HOLE.

LEAD EXIT HOLE INCREASED TO FIT Ø0.165" [4.19]. FIELD SERVICEABLE.



ACTUAL SIZE

		UNLESS OTHERWISE SPECIFIED DIMENSIONS ARE IN INCHES FRACTIONS DECIMALS ANGLES		CONTRACT NO.	
		.XX ± .XXX ±		APPROVALS	
		MATERIAL SEE NOTE.		DATE	
		FINISH SEE NOTE.		DRAWN	
		DO NOT SCALE DRAWING		APPROVED BY	
NEXT ASSY		USED ON		R.L.	
				7/09	
APPLICATION				DESCRIPTION	
				E-Z-MINI-HOOK FOR HEAVY LEAD WITH RECT. HOLE	
				SIZE CODE IDENT NO. DRAWING NO.	
				B 08505 X100W2A	
				SCALE	
				2:1	
				SHEET 1 OF 1	
				REV.	

EZ-HOOK DIVISION OF TEKTEST INC. ARCADIA, CA 91006 U.S.A.

LTR	REVISIONS	DESCRIPTION	DATE	APPROVED