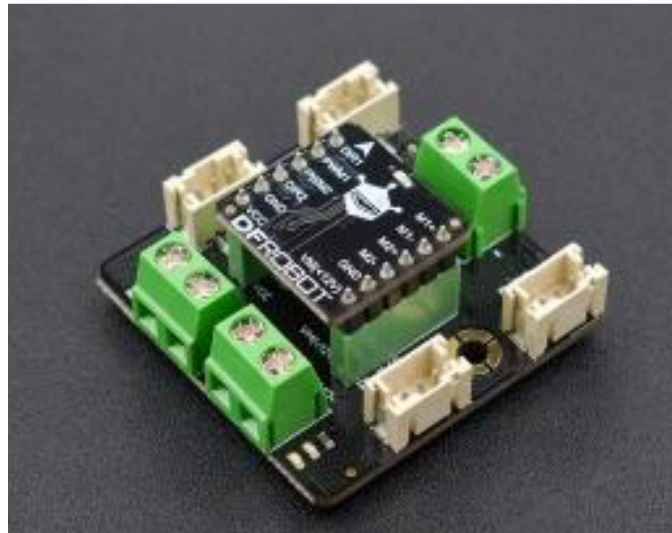


# 2x1.2A DC Motor Driver with Gravity Connector (TB6612FNG) SKU: DRI0044-A

---



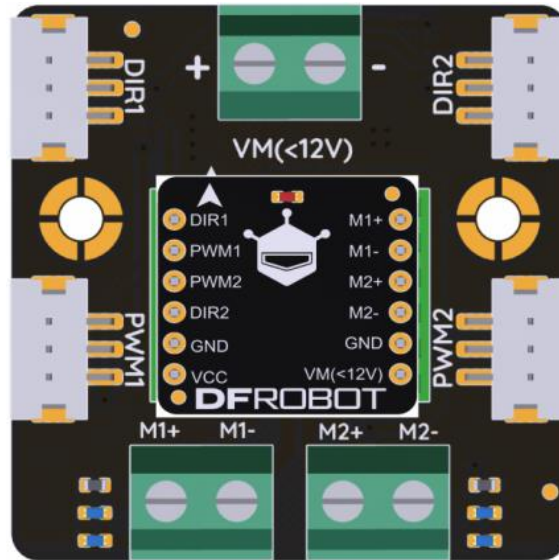
This DFRobot micro dual way DC motor driver with Gravity connector. It is design based on TB6612FNG motor driver chip. It inherits DFRobot L298N motor control logic, which only need four pins to drive 2 motors. The Gravity connector version expands four GPIO with standard Gravity connector. Once you use the Gravity IO Expansion board, it will be quite convenient.

TB6612FNG is a dual-channel full-bridge drive chip. The maximum continuous drive current of single channel can reach 1.2A, peak value 2A/3.2A (continuous pulse / single pulse) , which can drive some micro DC motors. The control logic is similar to L298n, and the code can be directly compatible with the DFRobot L298N motor driver. Standard XH2.54 pin can be inserted directly into the breadboard. It is a good choice for DIY project or product developments. If you need some tiny module, you can also use the module separately.

## Specification

- VCC Operating Voltage: 2.7V~5.5V
- VM Input Power: 2.5V~12V
- Output Current: 1.2A (single-channel continuous drive current)
- Start / Peak Current: 2A (continuous pulse) / 3.2A (single pulse)
- Dimension:1.57x1.57(in) / 40 × 40(mm)

# Board Overview



2x1.2A DC Motor Driver (TB6612FNG) with Gravity Connector

Label	Number	Description
1	DIR1	M1 Direction Control
2	PWM1	M1 Speed control(PWM)
3	PWM2	M2 Speed control(PWM)
4	DIR2	M2 Direction Control
5	GND	Negative power supply
6	VCC	Power 3.3V-5V or IO port output high
7	M1+	A Output 1
8	M1-	A Output 2
9	M2+	B Output 1
10	M2-	B Output 2
11	VM-	Negative power supply
12	VM+	Motor drive power 3.3V-12V

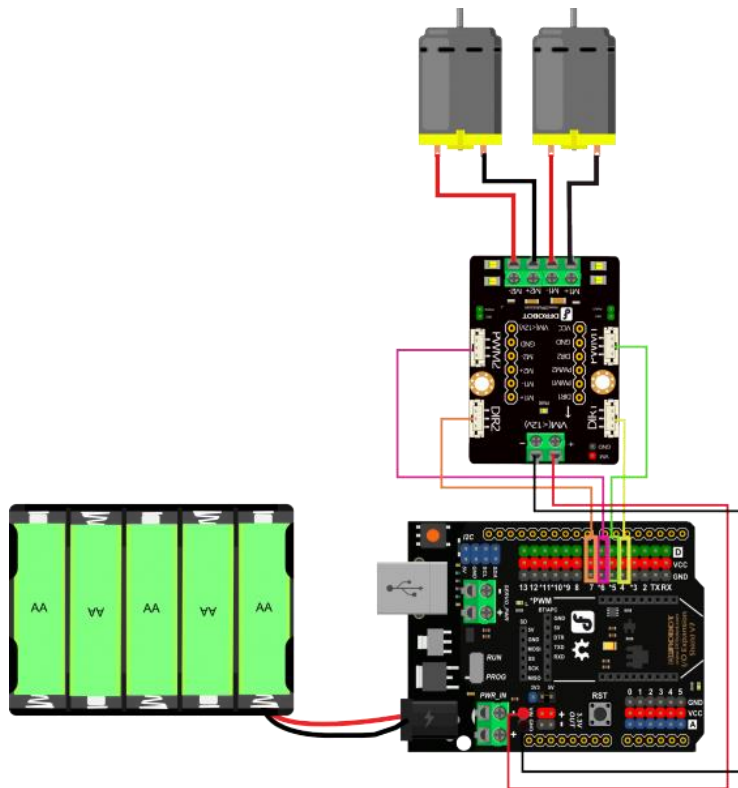
- LED : The motor Turn direction indicator.



# Tutorial

## Connection Diagram

- Hardware
- 1 x DFRduino UNO R3
- 1 x Dual Motor Driver (TB6612)
- 8 x Breadboard Jumper Cables
- 2 x DC Motor
- 5 x AA Battery



Arduino Connection

## Sample Code

- Software
- Arduino IDE [Download Arduino IDE](#)

```
int PWM1 = 5;
int DIR1 = 4;
int PWM2 = 6;
int DIR2 = 7;
void setup()
{
  pinMode(DIR1, OUTPUT);
  pinMode(DIR2, OUTPUT);
}
void loop()
{
  int value;
  for(value = 0 ; value <= 255; value+=5)
  {
    digitalWrite(DIR1, HIGH);
    digitalWrite(DIR2, HIGH);
    analogWrite(PWM1, value); //PWM Speed Control
    analogWrite(PWM2, value); //PWM Speed Control
    delay(30);
  }
}
```

## Result

Two motor speeds change from 0 to maximum, cycle.

For any questions, advice or cool ideas to share, please visit the [DFRobot Forum](#).

## More Documents

- TB6612 datasheet
- TB6612FNG Module Schematic
- Expansion Board Schematic
- SVG Files