

## PIC16F818/819 Rev. A4 Silicon Errata Sheet

The PIC16F818/819 Rev. A4 parts you have received conform functionally to the Device Data Sheet (DS39598E), except for the anomalies described below.

Microchip intends to address all issues listed here in future revisions of the PIC16F818/819 silicon.

The following silicon errata apply only to PIC16F818/819 devices with these Device/Revision IDs:

Part Number	Device ID	Revision ID
PIC16F818	00 0100 110	00100
PIC16F819	00 0100 111	00100

**Note:** Non-TSL and TSL devices have the same Device and Revision IDs.

### 1. Module: Internal RC Oscillator

The INTOSC and INTOSC with postscaler outputs may exhibit a high amount of jitter.

#### Work around

None

#### Date Codes that pertain to this issue:

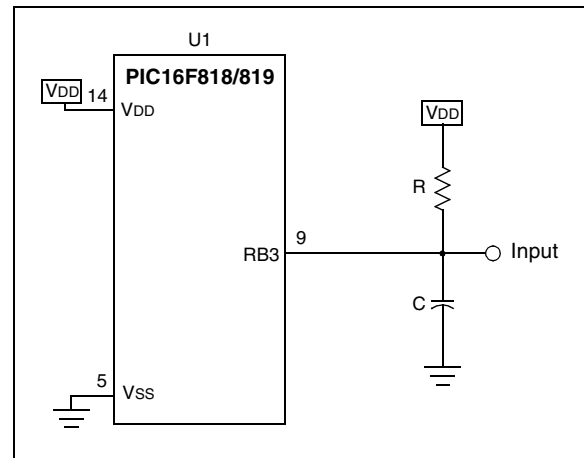
All date codes up to 0426xxx.

### 2. Module: PORTB

If the following conditions are present on RB3, a device Reset may occur.

1. RC combination on RB3 (see Figure 1).
2. RB3 configured as an input via TRISB.
3. RB3 is driven low.

**FIGURE 1:**



#### Work around

1. A Reset condition may not occur if a specific resistor/capacitor combination is used. It has been observed that a 10 kΩ resistor and a capacitor value of 4.7 nF or less does not cause a device Reset. If the user must have a RC configuration using RB3, then experimenting with different RC values is recommended.
2. Do not configure RB3 with the above conditions shown in Figure 1. Instead, use another I/O pin for the RC configuration.

#### Date Codes that pertain to this issue:

All date codes up to 0426xxx.

# PIC16F818/819

## 3. Module: Internal RC Oscillator IOFS bit

The device data sheet states when an INTOSC frequency is selected (125, 250, 500 kHz, 1, 2, 4, 8 MHz), the frequency will be stable when the IOFS bit becomes set (IOFS = 1) at 4 ms. The following applies for applications relying on time dependent code.

Under the following conditions, any of the INTOSC frequencies may not be stable when IOFS becomes set (IOFS = 1). Devices may vary from one to the next and may take as long as 60 ms to become stable.

1. Wake from Sleep, internal RC oscillator is selected via the Configuration Word and the IRCF bits are configured for an INTOSC frequency.
2. POR is executed, internal RC oscillator is selected via the Configuration Word and the IRCF bits are configured for an INTOSC frequency.

3. The INTRC (31.25 kHz) is clocking the device and a switch to an INTOSC frequency is executed via modification of the IRCF bits.

### Work around

Implement the following software delay shown in Example 1 after an INTOSC frequency has been enabled and before any frequency dependent application code is executed. This routine will delay application execution approximately 2K-150K T<sub>cy</sub> (instruction cycles are dependent upon the INTOSC frequency) to ensure a stable INTOSC frequency.

### Date Codes that pertain to this issue:

All date codes.

**Note:** This issue applies to TSL and non-TSL devices.

## EXAMPLE 1: DELAY ROUTINE

```
DlyVarH    equ    <define address based on application requirements>
DlyVarL    equ    <define address based on application requirements>

;Load the delay variable DlyVarH with the following value for the selected frequency:
;125kHz    0x0300
;250kHz    0x0600
;500kHz    0x0C00
;1MHz      0x1900
;2MHz      0x3100
;4MHz      0x6200

delay                                ;insure the correct data memory bank is selected
                                        ; for access of data variables
    CLRF    DlyVarL                    ;initialize low delay variable
    MOVLW   0x62                        ;initialize high delay variable
    MOVWF   DlyVarH

dly_loop
    DECFSZ  DlyVarL,f                    ;decrement low variable
    GOTO    dly_loop
    DECFSZ  DlyVarH,f                    ;decrement high variable
    GOTO    dly_loop
RETURN                                ;delay done
```

## 4. Module: PORTB Pull-ups

The PORTB weak pull-ups will not be disabled under the following conditions:  $\overline{\text{RBPU}} = 0$  (Option register) and  $\text{SSPEN} = 1$  (SSPCON register) as indicated by the RB7:RB0 I/O block diagrams in **Section 5.0 "I/O Ports"**.

### Work around

1. If the SPP module is enabled, do not enable the PORTB weak pull-ups and use external pull-up resistors.
2. If the SSP module and PORTB pull-ups are enabled, then evaluate the functionality of the SSP (I<sup>2</sup>C™/SPI™) module to ensure proper operation within your application.

### Date Codes that pertain to this issue:

All date codes.

## 5. Module: PORTB

A delay of 1 TOSC will occur if an instruction that modifies the contents of PORTB simultaneously occurs when any of the following modules (if enabled) executes an operation that effects the signals on their respective PORTB I/O pins.

### CCP Module:

PWM Mode (CCP1CON<3:0> = 11xx)

When CCP1CON<5:4> bits = 10, the PWM output signal will be delayed by 1 TOSC when an instruction to modify the contents of PORTB is executed.

### SSP Module:

SPI Slave Modes (SSPCON<3:0> = 0100 and 0101)

Clock signal is derived from an external source. Transmission of data (SDO pin) will be delayed by 1 TOSC when an instruction to modify the contents of PORTB is executed. Reception of data is not affected.

### Work around

None

### Date Codes that pertain to this issue:

All date codes.

## 6. Module: Internal RC Oscillator

When any one of the seven INTOSC frequencies is enabled by the following conditions, it is possible for the oscillator to overshoot the selected frequency.:

1. A clock switch from INTRC (31 kHz) to an INTOSC (125 kHz-8 MHz) frequency via the IRCF bits (OSCCON register).
2. Exit from Sleep mode with the IRCF bits already configured for an INTOSC frequency.

If the selected frequency is 8 MHz, then the Voltage versus Frequency specification of the device may be violated.

### Work around

When it is required for the application to run at 8 MHz, it is recommended that the application does not start executing code at 8 MHz until the 60 ms firmware delay (see issue 3) has completed. During the 60 ms settling period, the application can execute code up to 4 MHz. Upon completion of the 60 ms firmware delay, the 8 MHz can be selected via the IRCF bits.

### Date Codes that pertain to this issue:

All date codes.

## 7. Module: PORTB Interrupts

When the PORTB interrupt-on-change feature and a PORTB peripheral are enabled simultaneously, the PORTB peripheral input signal's rising and falling edges will trigger an interrupt-on-change event. This is due to the interrupt-on-change feature not being disabled on the respective pin for that peripheral when it is enabled.

The affected pins and peripheral signals on PORTB are RB4: SCK and SCL, RB5:  $\overline{\text{SS}}$  and RB6: T1CKI. The functionality of T1OSI (RB7) and T1OSO (RB6) is not affected by this issue.

### Work around

None.

# PIC16F818/819

---

## Clarifications/Corrections to the Data Sheet

In the Device Data Sheet (DS39598E), the following clarifications and corrections should be noted.

None.

## REVISION HISTORY

### Rev A Document (06/2003)

First revision of this document, silicon issues 1 (Internal RC Accuracy), 2 (Internal RC Oscillator) and 3 (PORTB) and Data Sheet Clarification issues 1 (Writing to Flash Program Memory) and 2 (Modifying the IRCF Bits).

### Rev B Document (02/2004)

Removed Data Sheet Clarification issues 1 (Writing to Flash Program Memory) and 2 (Modifying the IRCF Bits) and added Data Sheet Clarification issue 1 (Timer1 Oscillator and In-Circuit Serial Programming).

### Rev C Document (08/2004)

Updated silicon issues 1 (Internal RC Accuracy), 2 (Internal RC Oscillator) and 3 (PORTB).

### Rev D Document (09/2004)

Added silicon issue 4 (Internal RC Oscillator IOFS bit) and 5 (PORTB Pull-ups).

### Rev E Document (10/2004)

Removed silicon issue 1 (Internal RC Oscillator Accuracy), amended silicon issue 4 – now issue 3 (Internal RC Oscillator IOFS bit), added silicon issue 5 (PORTB) and 6 (Internal RC Oscillator). Removed Data Sheet Clarification issue 1 (Timer1 Oscillator and In-Circuit Serial Programming).

### Rev F Document (6/2005)

Added silicon issue 7 (PORTB Interrupts).

# PIC16F818/819

---

NOTES:

---

---

**Note the following details of the code protection feature on Microchip devices:**

- Microchip products meet the specification contained in their particular Microchip Data Sheet.
- Microchip believes that its family of products is one of the most secure families of its kind on the market today, when used in the intended manner and under normal conditions.
- There are dishonest and possibly illegal methods used to breach the code protection feature. All of these methods, to our knowledge, require using the Microchip products in a manner outside the operating specifications contained in Microchip's Data Sheets. Most likely, the person doing so is engaged in theft of intellectual property.
- Microchip is willing to work with the customer who is concerned about the integrity of their code.
- Neither Microchip nor any other semiconductor manufacturer can guarantee the security of their code. Code protection does not mean that we are guaranteeing the product as "unbreakable."

Code protection is constantly evolving. We at Microchip are committed to continuously improving the code protection features of our products. Attempts to break Microchip's code protection feature may be a violation of the Digital Millennium Copyright Act. If such acts allow unauthorized access to your software or other copyrighted work, you may have a right to sue for relief under that Act.

---

Information contained in this publication regarding device applications and the like is provided only for your convenience and may be superseded by updates. It is your responsibility to ensure that your application meets with your specifications. MICROCHIP MAKES NO REPRESENTATIONS OR WARRANTIES OF ANY KIND WHETHER EXPRESS OR IMPLIED, WRITTEN OR ORAL, STATUTORY OR OTHERWISE, RELATED TO THE INFORMATION, INCLUDING BUT NOT LIMITED TO ITS CONDITION, QUALITY, PERFORMANCE, MERCHANTABILITY OR FITNESS FOR PURPOSE. Microchip disclaims all liability arising from this information and its use. Use of Microchip's products as critical components in life support systems is not authorized except with express written approval by Microchip. No licenses are conveyed, implicitly or otherwise, under any Microchip intellectual property rights.

**Trademarks**

The Microchip name and logo, the Microchip logo, Accuron, dsPIC, KEELOQ, microID, MPLAB, PIC, PICmicro, PICSTART, PRO MATE, PowerSmart, rPIC, and SmartShunt are registered trademarks of Microchip Technology Incorporated in the U.S.A. and other countries.


AmpLab, FilterLab, Migratable Memory, MXDEV, MXLAB, PICMASTER, SEEVAL, SmartSensor and The Embedded Control Solutions Company are registered trademarks of Microchip Technology Incorporated in the U.S.A.

Analog-for-the-Digital Age, Application Maestro, dsPICDEM, dsPICDEM.net, dsPICworks, ECAN, ECONOMONITOR, FanSense, FlexROM, fuzzyLAB, In-Circuit Serial Programming, ICSP, ICEPIC, Linear Active Thermistor, MPASM, MPLIB, MPLINK, MPSIM, PCKIT, PICDEM, PICDEM.net, PICLAB, PICtail, PowerCal, PowerInfo, PowerMate, PowerTool, rLAB, rPICDEM, Select Mode, Smart Serial, SmartTel, Total Endurance and WiperLock are trademarks of Microchip Technology Incorporated in the U.S.A. and other countries.

SQTP is a service mark of Microchip Technology Incorporated in the U.S.A.

All other trademarks mentioned herein are property of their respective companies.

© 2005, Microchip Technology Incorporated, Printed in the U.S.A., All Rights Reserved.

 Printed on recycled paper.

**QUALITY MANAGEMENT SYSTEM  
CERTIFIED BY DNV  
== ISO/TS 16949:2002 ==**

*Microchip received ISO/TS-16949:2002 quality system certification for its worldwide headquarters, design and wafer fabrication facilities in Chandler and Tempe, Arizona and Mountain View, California in October 2003. The Company's quality system processes and procedures are for its PICmicro® 8-bit MCUs, KEELOQ® code hopping devices, Serial EEPROMs, microperipherals, nonvolatile memory and analog products. In addition, Microchip's quality system for the design and manufacture of development systems is ISO 9001:2000 certified.*



---

---

## WORLDWIDE SALES AND SERVICE

---

---

### AMERICAS

**Corporate Office**  
2355 West Chandler Blvd.  
Chandler, AZ 85224-6199  
Tel: 480-792-7200  
Fax: 480-792-7277  
Technical Support:  
<http://support.microchip.com>  
Web Address:  
[www.microchip.com](http://www.microchip.com)

**Atlanta**  
Alpharetta, GA  
Tel: 770-640-0034  
Fax: 770-640-0307

**Boston**  
Westborough, MA  
Tel: 774-760-0087  
Fax: 774-760-0088

**Chicago**  
Itasca, IL  
Tel: 630-285-0071  
Fax: 630-285-0075

**Dallas**  
Addison, TX  
Tel: 972-818-7423  
Fax: 972-818-2924

**Detroit**  
Farmington Hills, MI  
Tel: 248-538-2250  
Fax: 248-538-2260

**Kokomo**  
Kokomo, IN  
Tel: 765-864-8360  
Fax: 765-864-8387

**Los Angeles**  
Mission Viejo, CA  
Tel: 949-462-9523  
Fax: 949-462-9608

**San Jose**  
Mountain View, CA  
Tel: 650-215-1444  
Fax: 650-961-0286

**Toronto**  
Mississauga, Ontario,  
Canada  
Tel: 905-673-0699  
Fax: 905-673-6509

### ASIA/PACIFIC

**Australia - Sydney**  
Tel: 61-2-9868-6733  
Fax: 61-2-9868-6755

**China - Beijing**  
Tel: 86-10-8528-2100  
Fax: 86-10-8528-2104

**China - Chengdu**  
Tel: 86-28-8676-6200  
Fax: 86-28-8676-6599

**China - Fuzhou**  
Tel: 86-591-8750-3506  
Fax: 86-591-8750-3521

**China - Hong Kong SAR**  
Tel: 852-2401-1200  
Fax: 852-2401-3431

**China - Shanghai**  
Tel: 86-21-5407-5533  
Fax: 86-21-5407-5066

**China - Shenyang**  
Tel: 86-24-2334-2829  
Fax: 86-24-2334-2393

**China - Shenzhen**  
Tel: 86-755-8203-2660  
Fax: 86-755-8203-1760

**China - Shunde**  
Tel: 86-757-2839-5507  
Fax: 86-757-2839-5571

**China - Qingdao**  
Tel: 86-532-502-7355  
Fax: 86-532-502-7205

### ASIA/PACIFIC

**India - Bangalore**  
Tel: 91-80-2229-0061  
Fax: 91-80-2229-0062

**India - New Delhi**  
Tel: 91-11-5160-8631  
Fax: 91-11-5160-8632

**Japan - Kanagawa**  
Tel: 81-45-471- 6166  
Fax: 81-45-471-6122

**Korea - Seoul**  
Tel: 82-2-554-7200  
Fax: 82-2-558-5932 or  
82-2-558-5934

**Malaysia - Penang**  
Tel: 011-604-646-8870  
Fax: 011-604-646-5086

**Philippines - Manila**  
Tel: 011-632-634-9065  
Fax: 011-632-634-9069

**Singapore**  
Tel: 65-6334-8870  
Fax: 65-6334-8850

**Taiwan - Kaohsiung**  
Tel: 886-7-536-4818  
Fax: 886-7-536-4803

**Taiwan - Taipei**  
Tel: 886-2-2500-6610  
Fax: 886-2-2508-0102

**Taiwan - Hsinchu**  
Tel: 886-3-572-9526  
Fax: 886-3-572-6459

### EUROPE

**Austria - Weis**  
Tel: 43-7242-2244-399  
Fax: 43-7242-2244-393

**Denmark - Ballerup**  
Tel: 45-4450-2828  
Fax: 45-4485-2829

**France - Massy**  
Tel: 33-1-69-53-63-20  
Fax: 33-1-69-30-90-79

**Germany - Ismaning**  
Tel: 49-89-627-144-0  
Fax: 49-89-627-144-44

**Italy - Milan**  
Tel: 39-0331-742611  
Fax: 39-0331-466781

**Netherlands - Drunen**  
Tel: 31-416-690399  
Fax: 31-416-690340

**England - Berkshire**  
Tel: 44-118-921-5869  
Fax: 44-118-921-5820