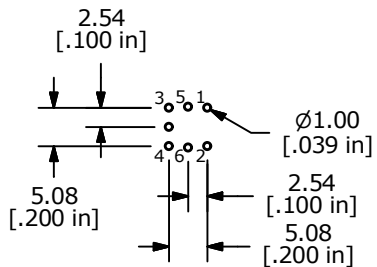
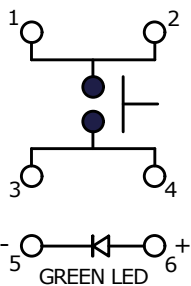


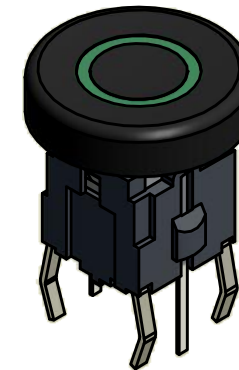
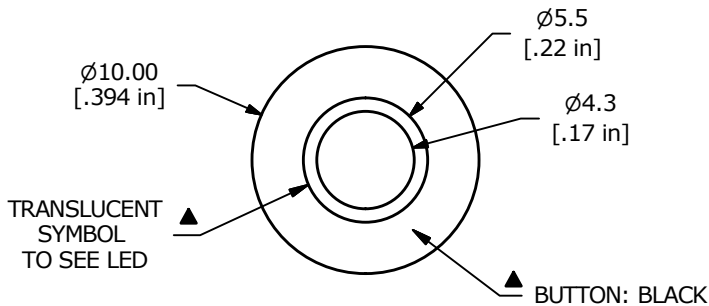
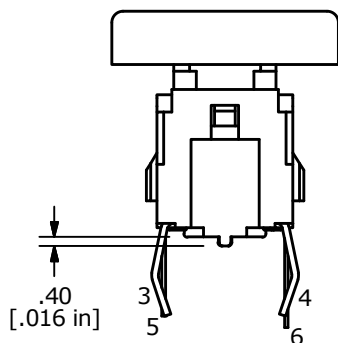
▲ LED SPECS	UNITS	GREEN
FORWARD CURRENT	mA	20
FORWARD VOLTAGE @20mA	V	2.1-2.5
LUMINOUS INTENSITY @ 20mA	mcd	55



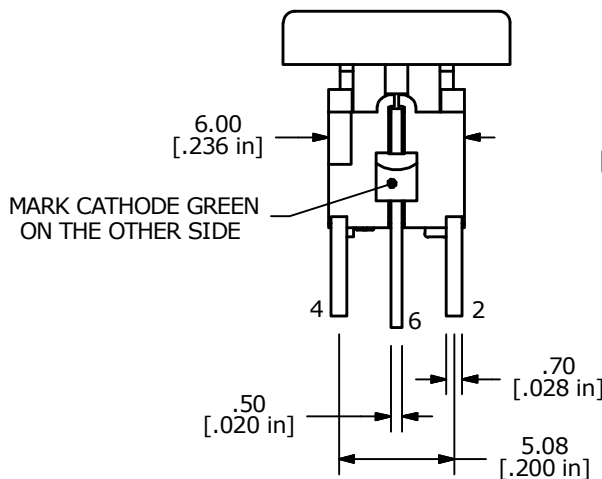
P.C.B. LAYOUT



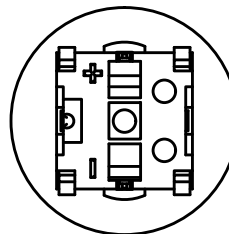
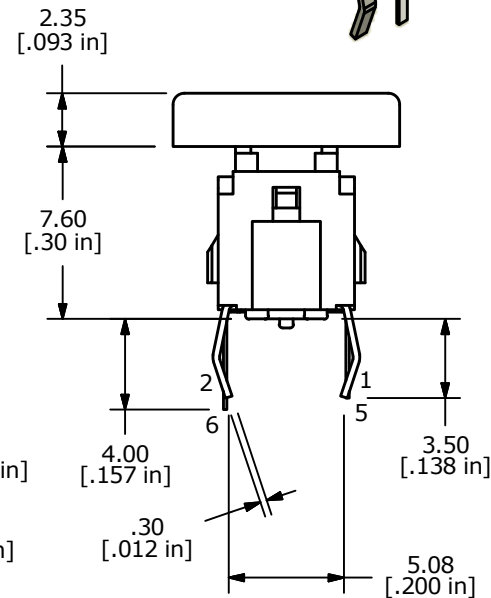
▲ CIRCUIT: SPST



NO BEZEL



MARK CATHODE GREEN ON THE OTHER SIDE



NOTES:

1. ALL DIMENSIONS IN MM [INCH]
2. GENERAL TOLERANCE: X.X = ±0.4
X.XX = ±0.25
3. RATING: 12VDC @ 50mA
4. CONTACT RESISTANCE: 100mΩ MAX.
5. INSULATION RESISTANCE: 100MΩ MIN.
6. OPERATING FORCE: 180± 50gf
7. TRAVEL: 0.2± 0.1mm
8. OPERATING TEMPERATURE: -40°C TO 85°C
9. OPERATING LIFE: 500,000 CYCLES
10. ▲ DENOTES CRITICAL PARAMETERS
11. 2002/95/EC (ROHS) COMPLIANT
12. TERMINAL NUMBERS FOR REFERENCE ONLY
13. PARTS TO BE PACKAGED 50 PARTS PER TRAY.



TITLE TL1220R3NNBG-HALO

A	21972	RELEASE FOR PRODUCTION	9/11/15	MW
REV	PCR NO	DESCRIPTION	DATE	BY

SCALE	DATE	DR	DWG	REV
3:1	9/4/2015	MW	B260032	A

THE INFORMATION CONTAINED IN THIS DOCUMENT IS PROPRIETARY TO E-SWITCH AND IS NOT TO BE COPIED OR TRANSFERRED