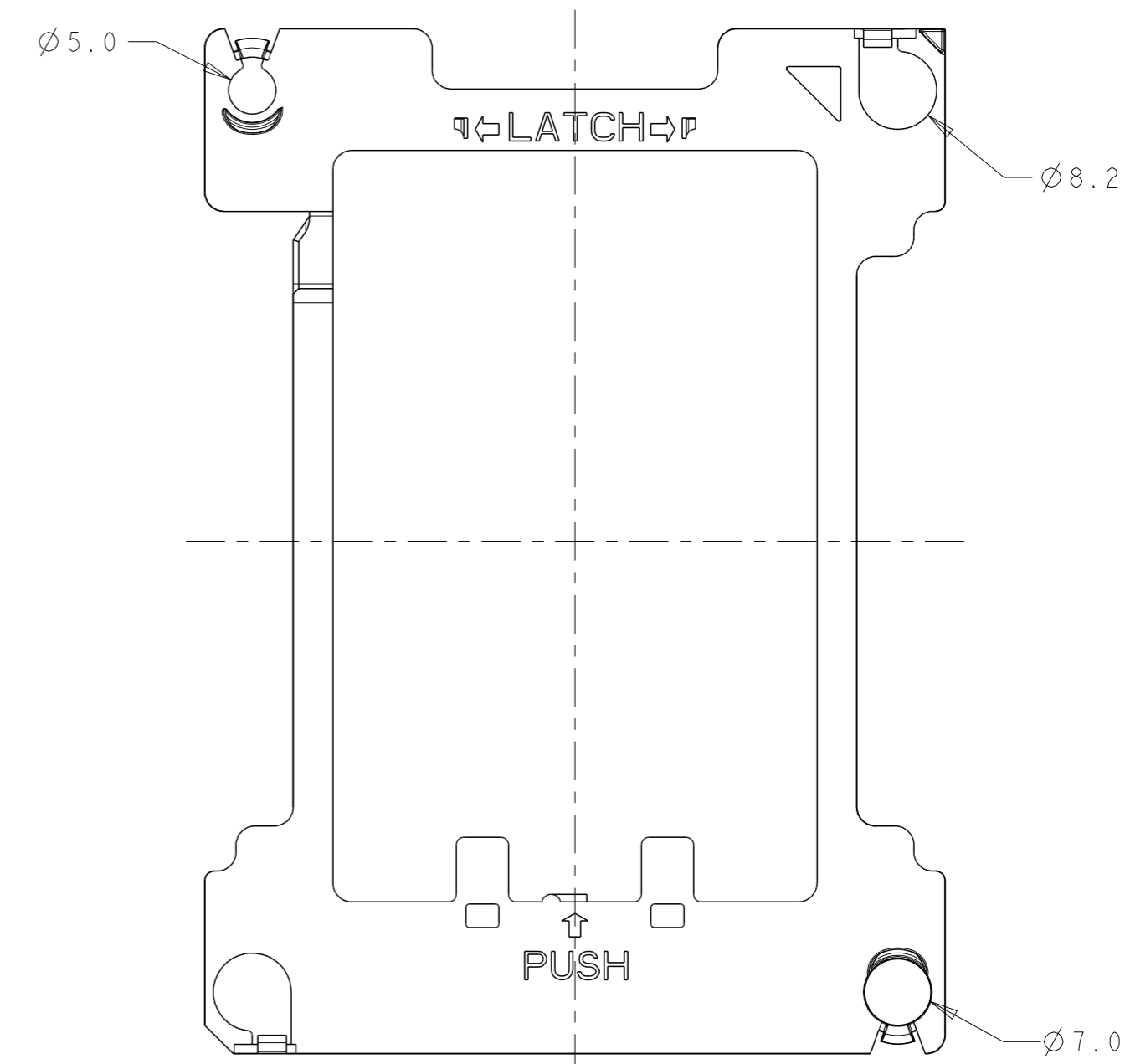
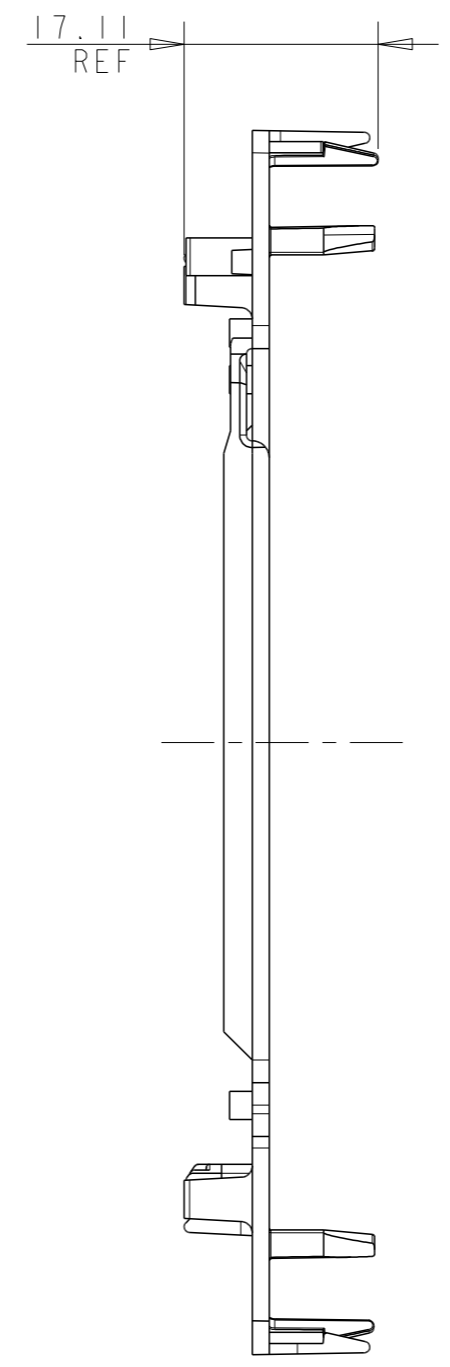
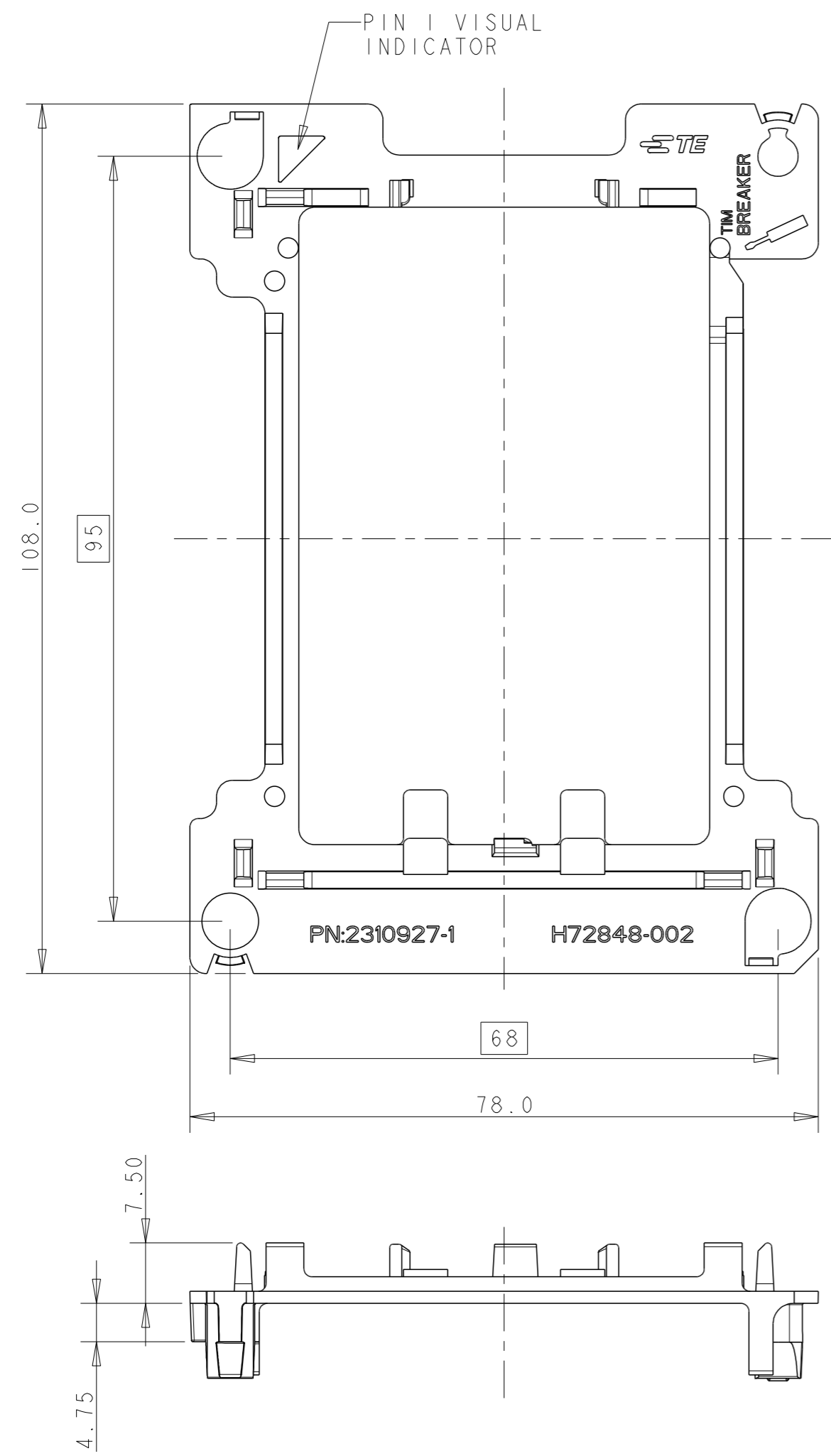


THIS DRAWING IS UNPUBLISHED. RELEASED FOR PUBLICATION  
 © COPYRIGHT copyright.d8Ye- ALL RIGHTS RESERVED.

REVISIONS				
P	LTR	DESCRIPTION	DATE	APVD
	A	RELEASED	27DEC16	J.W C.W



PN 2310927-1 AS SHOWN

NOTE:  
 1. MATERIAL:  
 -TYPE: PC-ABS, BLACK  
 -COLOR: BLACK  
 -UL94V-0  
 2. THIS PRODUCT IS APPLICABLE FOR LGA3647 SOCKET.

THIS DRAWING IS A CONTROLLED DOCUMENT.		DWN: JEFF WANG 14-Nov-16	TE Connectivity	
DIMENSIONS: mm		CHK: SIMON LI 14-Nov-16		
TOLERANCES UNLESS OTHERWISE SPECIFIED:		APVD: COREI WANG 14-Nov-16	NAME: SKX-EP NRW FABRIC CARRIER	
0 PLC ±0.3		PRODUCT SPEC	SIZE: A2	CAGE CODE: -
1 PLC ±0.3		APPLICATION SPEC	DRAWING NO: C-2310927	RESTRICTED TO: -
2 PLC ±0.3		WEIGHT	SCALE: 1:1	SHEET: 1 OF 1
3 PLC ±0.3		CUSTOMER DRAWING	REV: A	
4 PLC ±0.3				
ANGLES ±3				
FINISH				