

5

4

3

2

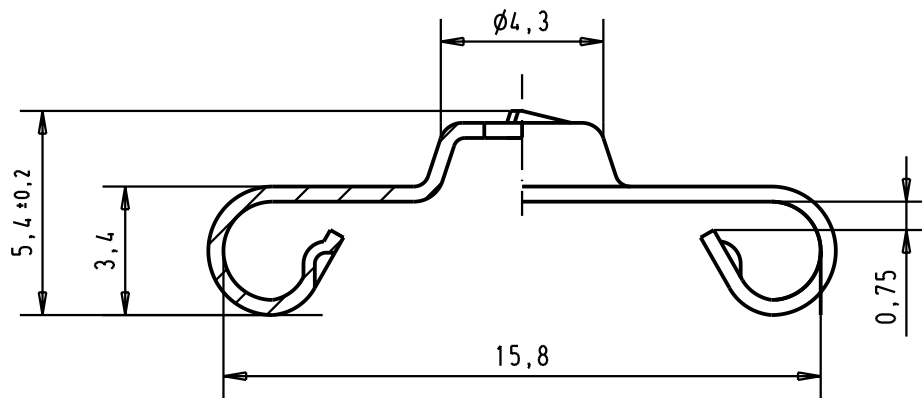
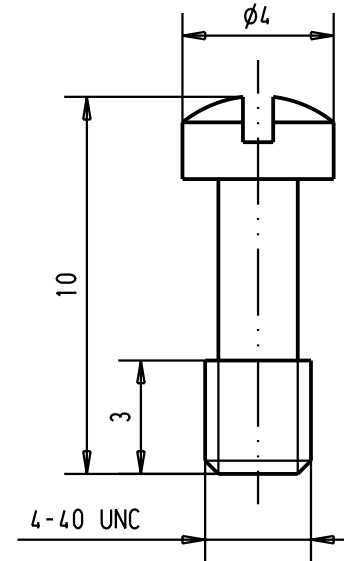
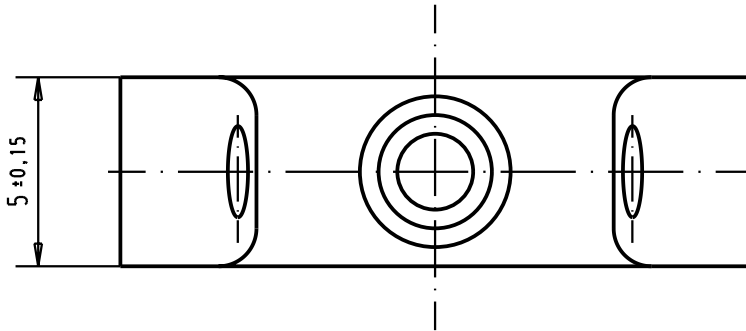
1



D

C

B

A



				Dat.	Name	 All Dim. in mm Orig. Size DIN A 4	<b>MALE SCREW-LOCK for 50 poles tinned</b>	Maßstab/ Scale
				Detail.	MF			5 : 1
				Insp.			TB 0967 001 9970	Blatt/ Page
29768	09-APR-02	CV		Stand.				1
16443	26.07.95	ST						
16441	13.07.95	MF						
Mod.	Dat.	Name	HARTING F-95972 Paris					

Sub.