

2	COPPER ALLOY	1	4	STAINLESS STEEL				
1	LCP	UL94V-0, BLACK	3	COPPER ALLOY				
NO.	MATERIAL	FINISH, REMARKS	NO.	MATERIAL	FINISH, REMARKS			
UNITS	mm	SCALE	5 : 1	COUNT	DESCRIPTION OF REVISIONS	DESIGNED	CHECKED	DATE
HRS HIROSE ELECTRIC CO., LTD.		APPROVED : NM. NISHIMATSU	15.10.27	DRAWING NO. EDC-126085-30-00				
		CHECKED : KN. ICHIKAWA	15.10.27	PART NO. ZX20-B-5S-UNIT(30)				
		DESIGNED : TS. ITO	15.10.27	CODE NO. CL242-0012-8-30				
		DRAWN : AK. AKIYAMA	15.10.27					

2 Fig-2 SHIELDING-PLATE ASSEMBLY

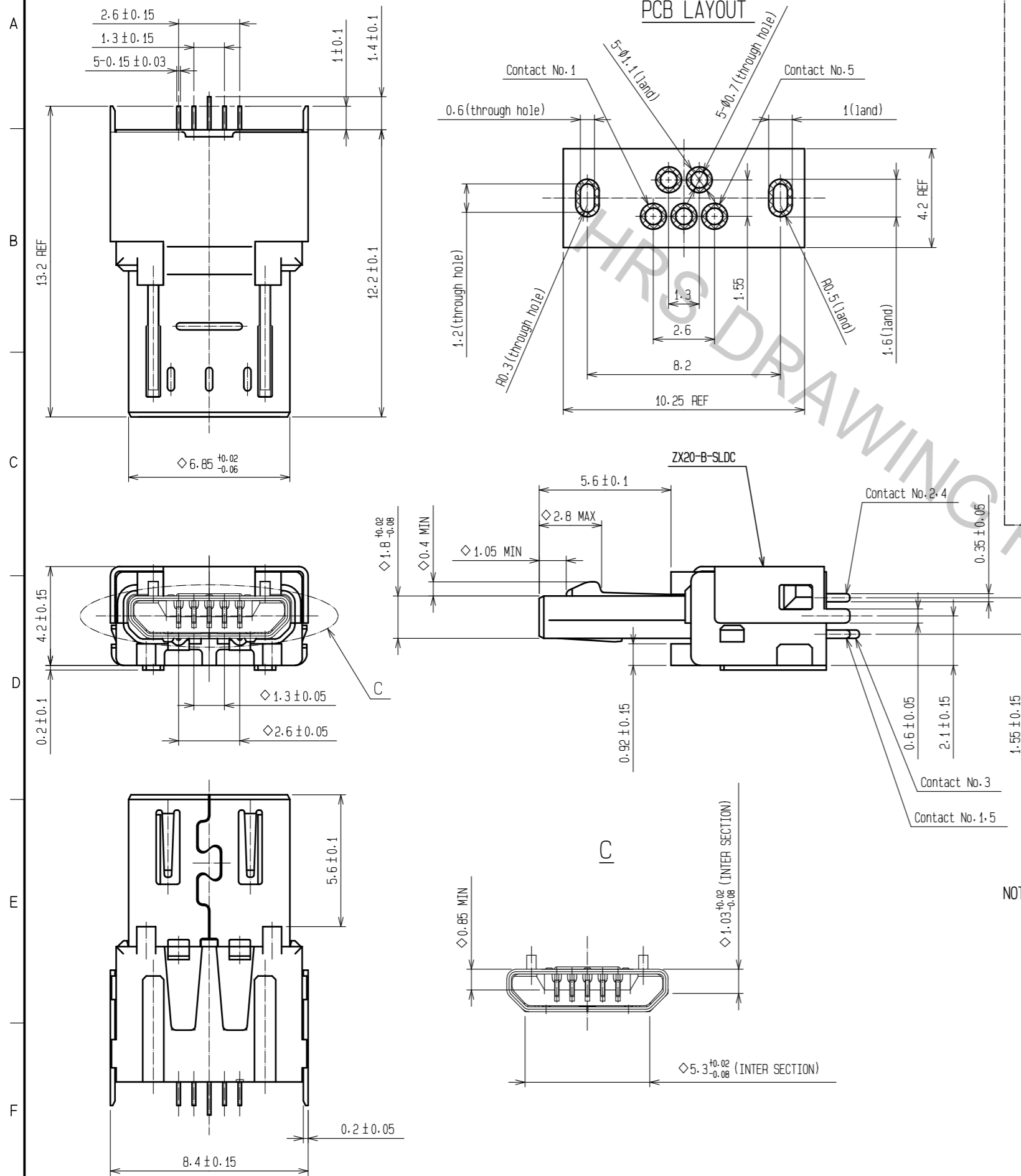
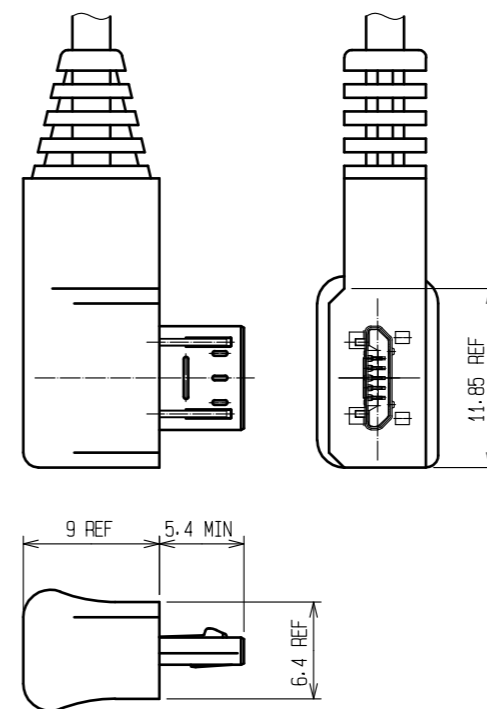
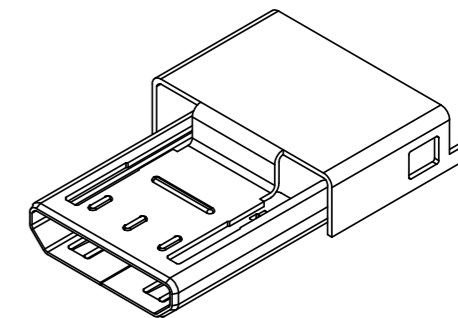


Fig-3 OVER-MOLDING(REFERENCE)

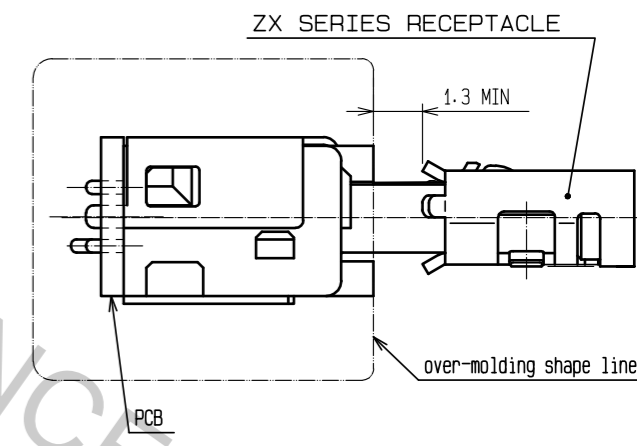


2 ZX20-B-SLDC
Code No. CL242-0022-1



NOTE:
- SOLD SEPARATELY
- DELIVERED BY THE REEL

Fig-4 MATED CONDITION



NOTES 2 SHIELDING-PLATE, ZX20-B-SLDC, IS USED FOR ASSEMBLY.

3. * ϕ *SYMBOL ADDED TO EACH DIMENSION MEANS CRITICAL DIMENSION ON USB SPECIFICATION. PLEASE CHECK THEM AFTER OVER-MOLDING.

HRS	DRAWING NO.	EDC-126085-30-00
	PART NO.	ZX20-B-5S-UNIT(30)
	CODE NO.	CL242-0012-8-30
		\triangle 2/2