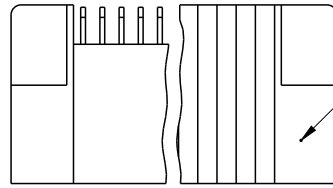
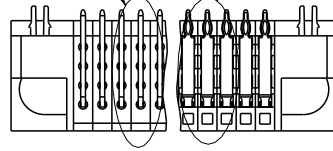


PRODUCT NUMBER

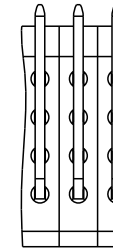
51966-A00CCC00EF\_..

SEE NOTE 1

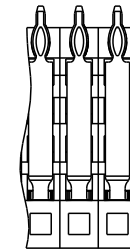
SEE DETAIL A SEE DETAIL B



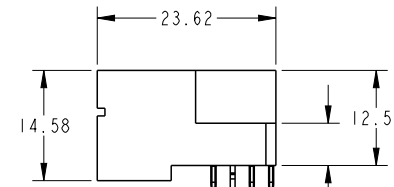
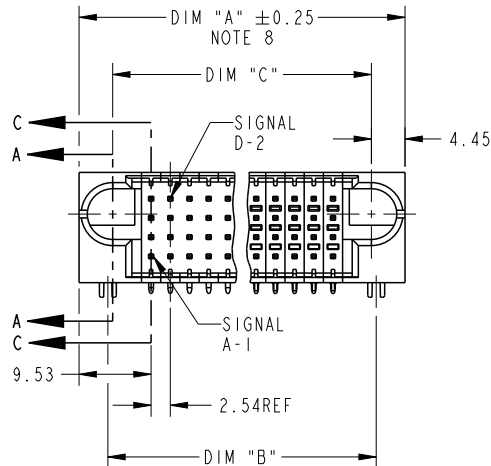
SEE NOTE 7



DETAIL A SCALE 2:1 FOR SOLDER TO BOARD ONLY



DETAIL B SCALE 2:1 FOR PRESS FIT ONLY



BOARD LOCK 2x IF SELECTED (SEE NOTE 6)

MOUNTING FOOT THICKNESS SEE NOTE 6

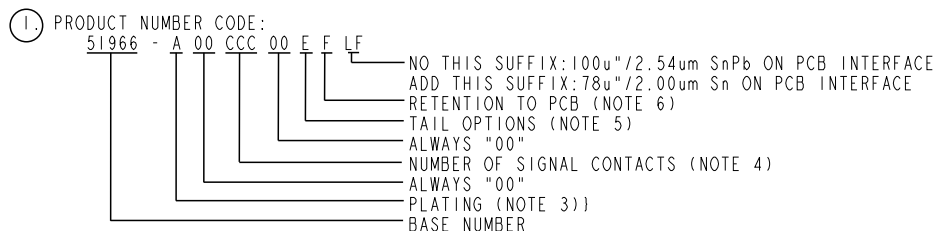


Copyright FCI.

spec ref	*	dr	Jerome Chen	2008/09/12	projection	MM	size	A4	scale	1:1
tolerance std	ASME Y14.5	eng	Ruan MT	2015/09/30			ecn no ELX-DG-21593-1			
TOLERANCES UNLESS OTHERWISE SPECIFIED		chr	Fancy Zhang	2015/09/30			product family PwrBlade		rel level Released	
surface	✓	appr	Pei-Ming Zheng	2015/09/30	product family PwrBlade		rel level Released		rev	
ASME Y14.5	linear	0.X	±0.5		title R/A HEADER WITH GUIDE PIN		dwg no 51966		rev E	
		0.XX	±0.25		SIGNAL					
		0.XXX	±0.100		cat. no.					
	angular	0°	±2°	www.fci.com	Product - Customer Drw		sheet 1 of 3			

PRODUCT NUMBER	DIM	LENGTH FORMULAS (SEE NOTE 8)
51966-A00CCC00EF--	DIM "A"	$2.54 \times (CCC/4) + 16.51$ (NOTE 8)
SEE NOTE 1	DIM "B"	$2.54 \times (CCC/4) + 8.89$
	DIM "C"	$2.54 \times (CCC/4) + 7.62$
	DIM "D"	$[2.54 \times (CCC/4) + 17.27$

CONNECTOR NOTES



- ② HOUSING MATERIAL: GLASS FILLED V-O HIGH TEMP THERMO PLASTIC.  
 SIGNAL CONTACT MATERIAL: COPPER ALLOY
- ③ PLATING OPTION:  
 1 = SEE PRINT 10064183 FOR PLATING SPEC OF 51966-100CCC00EF  
 AND 51966-100CCC00EFLF RESPECTIVELY
- ④ SIGNAL CONTACTS, 004 TO 148 AVAILABLE.

- ⚠ ⑤ TAIL OPTIONS:  
 A = 3.43 SOLDER TO BOARD  
 B = 4.19 SOLDER TO BOARD  
 C = 3.43 PRESS FIT  
 D = 2.34 SOLDER TO BOARD

- ⑥ RETENTION TO PCB OPTIONS:  
 A = BOARD LOCK (REQUIRES 2.49 +0.05, -0.03 THRU HOLE IN PCB).  
 MOUNTING FOOT THICKNESS 5.59  
 B = 3.81 THRU HOLE (REQUIRES 4.01±0.07 THRU HOLE IN PCB).  
 MOUNTING FOOT THICKNESS 4.06  
 MOUNTING HOLES, WHERE APPLICABLE, ARE UNPLATED.
- ⑦ MANUFACTURE'S NAME, P/N, AND DATE CODE  
 TO APPEAR ON THIS SURFACE.
- ⑧ THE MAXIMUM OVERALL LENGTH (DIM A) OF A PART  
 IS 203.2
9. PRODUCT SPECIFICATION GS-12-149  
 APPLICATION SPECIFICATION BUS-20-067
10. REFERENCE 51697 FOR SELECT LOAD/FMLB WORKSHEET

PCB NOTES:

11. ALL DIMENSIONS ARE BASIC UNLESS OTHERWISE SPECIFIED.  
 12. ALL THROUGH HOLES ARE LOCATED WITH A  
 TRUE POSITION OF 0.10  
 13. ALL HOLE DIAMETERS ARE FINISHED HOLE SIZE.
- ⑩  $\varnothing 1.151 \pm 0.025$  DRILLED HOLES PLATED WITH  
 0.008 MIN SnPb or Sn OVER 0.03 TO 0.08  
 Cu PLATING TO ACHIEVE A  $1.02 \pm 0.07$  HOLE.

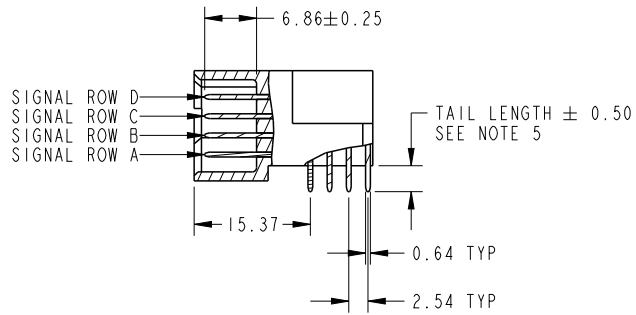
15. A ⚠ SYMBOL WILL BE NEXT TO ANY DIMENSION, VIEW, OR  
 NOTE WHICH HAS BEEN MODIFIED WITH THE CURRENT  
 DRAWING REVISION.
- ⚠ ⑩ CONNECTOR KEEP OUT ZONE

dr	Jerome Chen	2008/09/12	projection 	MM 	size	A4	scale	1:1
eng	Ruan MT	2015/09/30			ecn no	ELX-DG-21593-1		
chr	Fancy Zhang	2015/09/30			rel level	Released		
appr	Pei-Ming Zheng	2015/09/30	product family	PwrBlade		rev	E	
		title	R/A HEADER WITH GUIDE PIN SIGNAL			dwg no	51966	
www.fci.com		cat. no.	*	Product - Customer Drw			sheet 2 of 3	

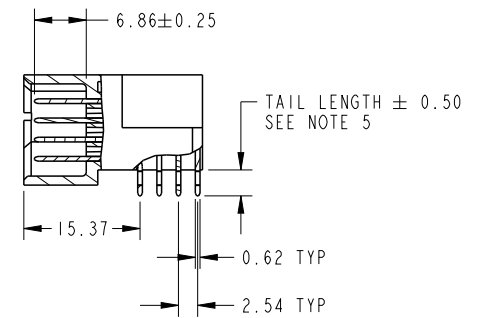
PRODUCT NUMBER

51966-A00CCC00EF\_..

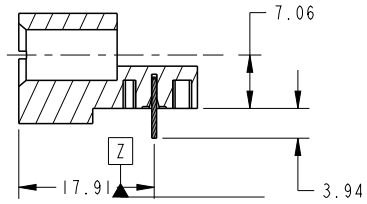
SEE NOTE 1



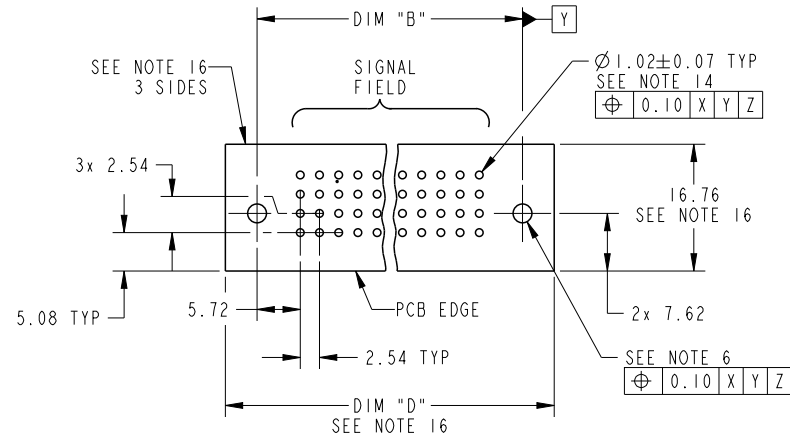
△ BROKEN-OUT SECTION C-C FOR SOLDER TO BOARD ONLY



△ BROKEN-OUT SECTION C-C FOR PRESS FIT ONLY



SECTION A-A



RECOMMENDED PCB LAYOUT

dr	Jerome Chen	2008/09/12	projection 	MM ←→	size	A4	scale	1:1	
eng	Ruan MT	2015/09/30			ecn no	ELX-DG-21593-1			
chr	Fancy Zhang	2015/09/30			rel level	Released			
appr	Pei-Ming Zheng	2015/09/30	product family	PwrBlade					
		title	R/A HEADER WITH GUIDE PIN		dwg no	51966		rev	E
www.fci.com		cat. no.	*	Product - Customer Drw		sheet 3 of 3			



Copyright FCI.