

MODEL:

SRPAGODAROOF

SmartRack® Drip-Resistant Rack Enclosure Roof



Drip & Debris Resistance

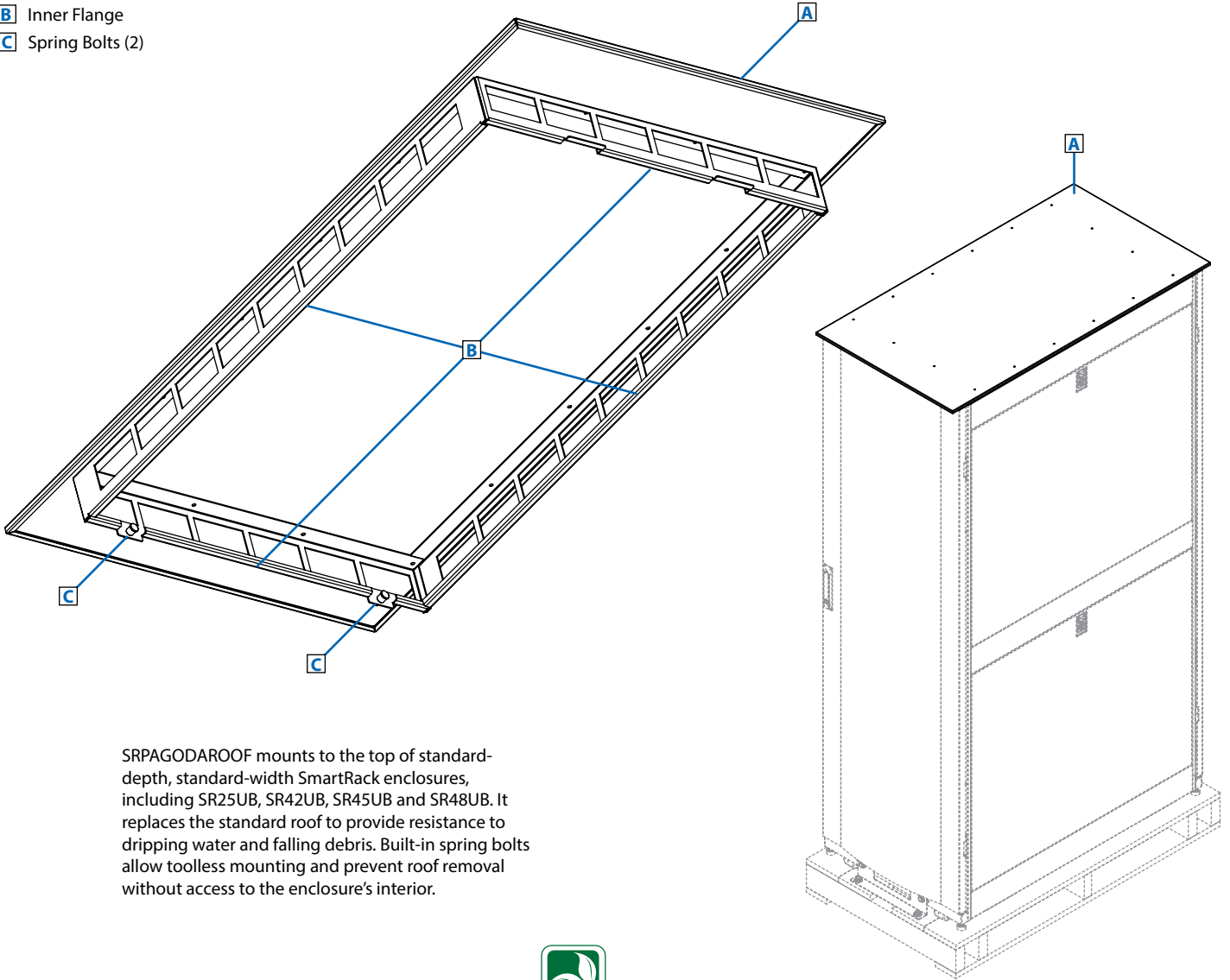


Toolless Mounting



Sturdy Steel Construction

- A** Solid Rooftop
- B** Inner Flange
- C** Spring Bolts (2)



SRPAGODAROOF mounts to the top of standard-depth, standard-width SmartRack enclosures, including SR25UB, SR42UB, SR45UB and SR48UB. It replaces the standard roof to provide resistance to dripping water and falling debris. Built-in spring bolts allow toolless mounting and prevent roof removal without access to the enclosure's interior.



Specifications

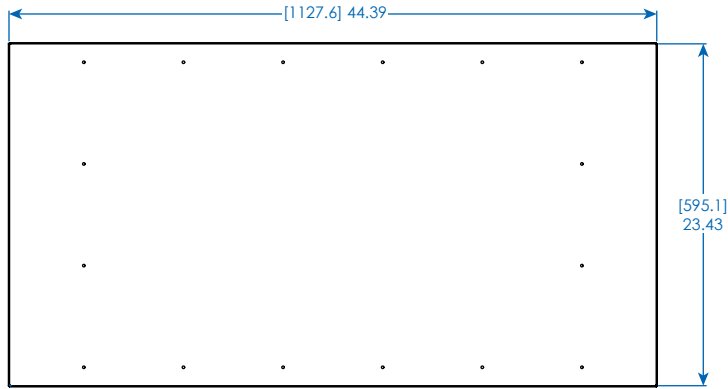
Model	SRPAGODAROOF
Unit Dimensions (H x W x D)	3.1 x 23.4 x 44.4 / 787 x 594 x 1128 mm
Shipping Dimensions (H x W x D)	7.5 x 29.5 x 49.5 in. / 193 x 745 x 1268 mm
Unit Weight	22 lb. / 10 kg
Shipping Weight	24.4 lb. / 11.1 kg
Standards	RoHS

Tripp Lite has a policy of continuous improvement. Specifications are subject to change without notice.

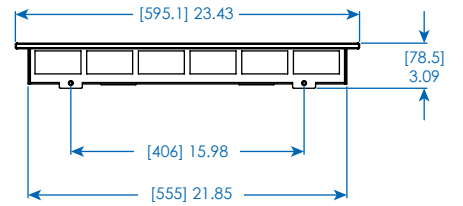
SEE NEXT PAGE FOR DETAILED UNIT MEASUREMENTS



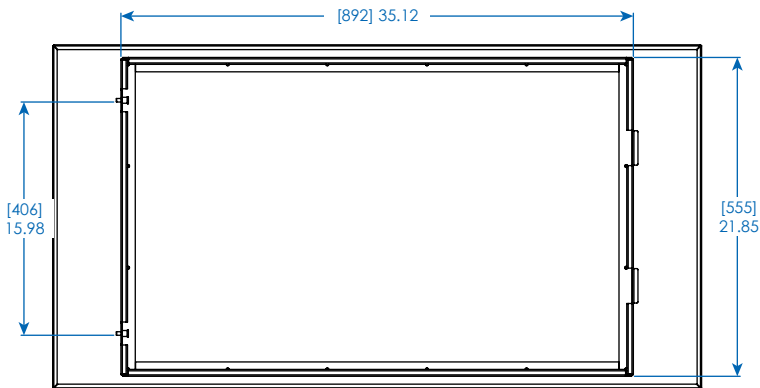
1111 W. 35th Street
 Chicago, IL 60609 USA
 773.869.1234
 www.tripplite.com



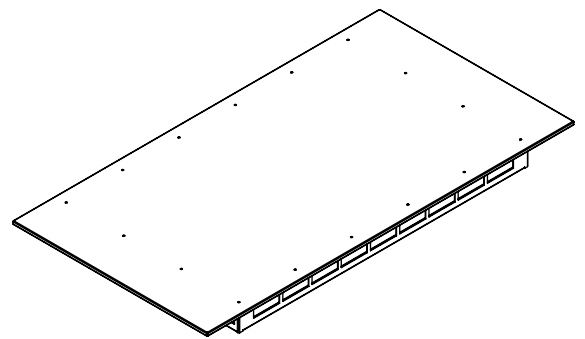
TOP VIEW



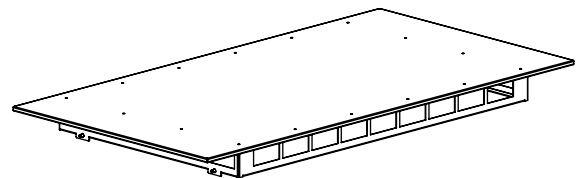
FRONT VIEW



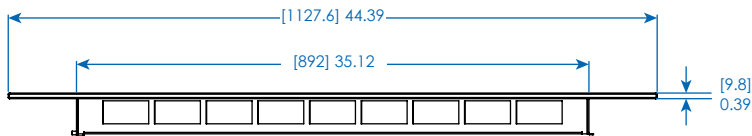
BOTTOM VIEW



ISOMETRIC VIEW



DIMETRIC VIEW



SIDE VIEW

MODEL:
SRPAGODAROOF



1111 W. 35th Street
Chicago, IL 60609 USA
773.869.1234

www.tripplite.com

Dimensions: [mm] INCHES

Tripp Lite has a policy of continuous improvement. Specifications are subject to change without notice.