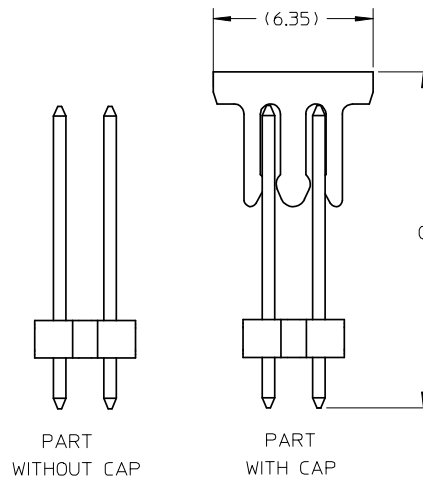
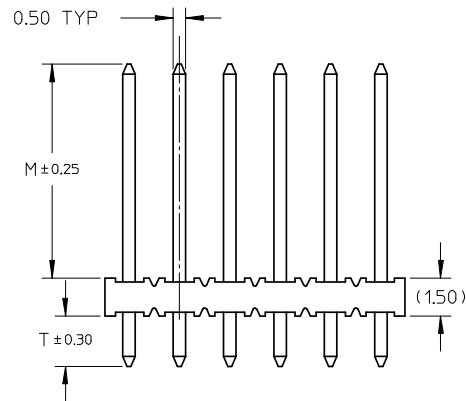
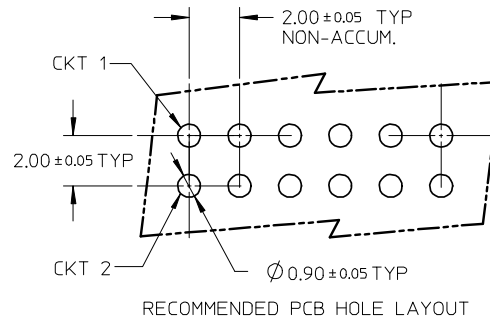
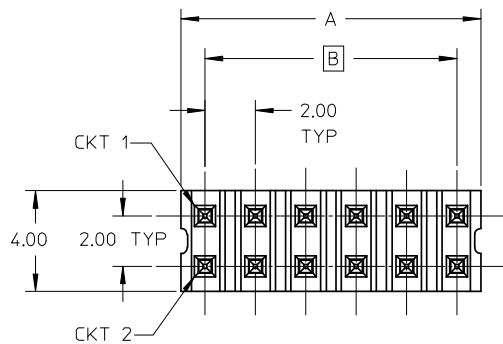


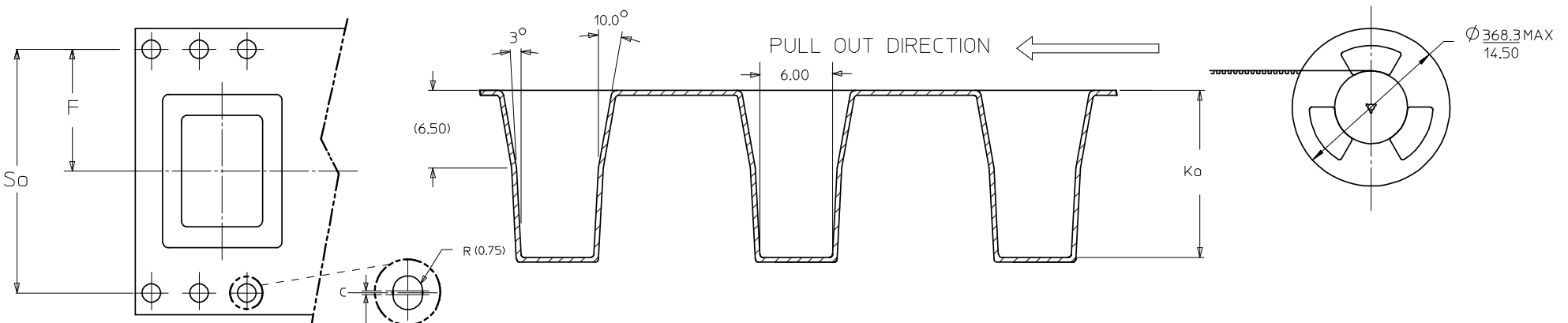
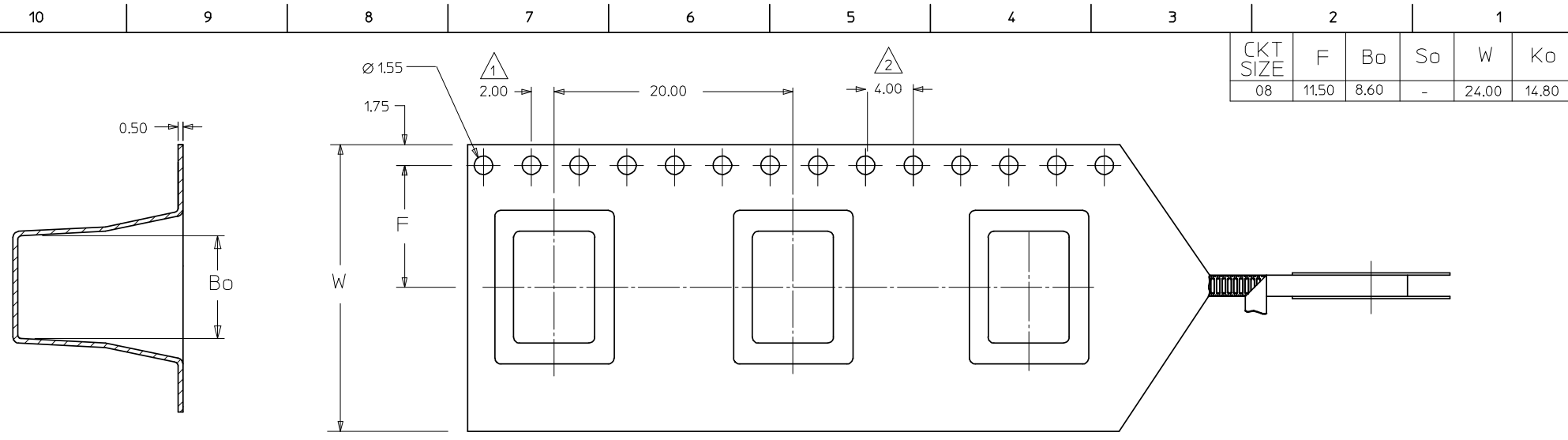
W/CAP	PART NUMBER	CKT SIZE	A	B	M±0.25	T±0.30	G	PLATING OPTION	PACKAGING TYPE
NO	87758-0482	4	3.90	2.00	8.50	2.00	-	4	TRAY
NO	87758-0682	6	5.90	4.00	5.00	2.60	-	4	TRAY
NO	87758-0882	8	7.90	6.00	8.50	2.00	-	4	TRAY
YES	87758-0807	8	7.90	6.00	9.00	2.60	14.37	4	T&R
NO	87758-1282	12	11.90	10.00	8.50	2.00	-	4	TRAY
NO	87758-0003	30	29.90	28.00	9.00	4.00	-	7	TRAY
NO	87758-3103	30	29.90	28.00	8.30	3.80	-	3	TRAY
NO	87758-3104	30	29.90	28.00	8.30	3.80	-	4	TRAY
NO	87758-3105	30	29.90	28.00	8.30	3.80	-	5	TRAY
NO	87758-3106	30	29.90	28.00	8.30	3.80	-	6	TRAY

NOTES:

- MATERIAL:  
HOUSING: 30% G.F. NYLON 46, 94V-0, COLOR: BLACK  
PIN: 0,50mm SQ. COPPER ALLOY
- PLATING:
  - GOLD FLASH OVER  
50 MICRO INCHES MIN. NICKEL OVERALL.
  - 1 MICRO INCHES MIN. GOLD PLATE ON CONTACT AND  
75 MICRO INCHES MIN. TIN ON SOLDER TAIL OVER  
50 MICRO INCHES MIN. NICKEL OVERALL.
  - 10 MICRO INCHES MIN. GOLD PLATE ON CONTACT AND  
75 MICRO INCHES MIN. TIN ON SOLDER TAIL OVER  
50 MICRO INCHES MIN. NICKEL OVERALL.
  - 15 MICRO INCHES MIN. GOLD PLATE ON CONTACT AND  
75 MICRO INCHES MIN. TIN ON SOLDER TAIL OVER  
50 MICRO INCHES MIN. NICKEL OVERALL.
  - 30 MICRO INCHES MIN. GOLD PLATE ON CONTACT AND  
75 MICRO INCHES MIN. TIN ON SOLDER TAIL OVER  
50 MICRO INCHES MIN. NICKEL OVERALL.
  - 100 MICRO INCHES MIN. TIN IN SELECTED AREA OVER  
50 MICRO INCHES MIN. NICKEL OVERALL.
  - 15 MICRO INCHES MIN. GOLD PLATE ON CONTACT AND  
15 MICRO INCHES MIN. GOLD PLATE ON SOLDER TAIL OVER  
50 MICRO INCHES MIN. NICKEL OVERALL.
- 12 CKT USED FOR ILLUSTRATION ONLY
- PACKAGING TYPE: SEE TABLE
- PIN PUSHOUT FORCE: 1KG MIN IN EITHER DIRECTION
- PRODUCT SPEC PS-87761-100 APPLIES.



PDR#S-001853-00-00 EC NO: S2009-0043 DRWN:SKANG 2008/08/05 CHKD:ATSEE 2008/08/05 APPR:MLONG 2008/08/06	QUALITY SYMBOLS	GENERAL TOLERANCES (UNLESS SPECIFIED)	DIMENSION STYLE	SCALE	DESIGN UNITS	THIRD ANGLE PROJECTION															
	$\nabla=0$ $\nabla C=0$	<table border="1"> <tr> <th></th> <th>mm</th> <th>INCH</th> </tr> <tr> <td>4 PLACES</td> <td>± ---</td> <td>± ---</td> </tr> <tr> <td>3 PLACES</td> <td>± ---</td> <td>± ---</td> </tr> <tr> <td>2 PLACES</td> <td>± 0.20</td> <td>± ---</td> </tr> <tr> <td>1 PLACE</td> <td>± ---</td> <td>± ---</td> </tr> </table>		mm	INCH	4 PLACES	± ---	± ---	3 PLACES	± ---	± ---	2 PLACES	± 0.20	± ---	1 PLACE	± ---	± ---	MM ONLY	NTS	METRIC	
		mm	INCH																		
	4 PLACES	± ---	± ---																		
3 PLACES	± ---	± ---																			
2 PLACES	± 0.20	± ---																			
1 PLACE	± ---	± ---																			
DRAWN BY: KSEE CHECKED BY: KCL ING APPROVED BY: SKTOH DATE: 2003/11/03 DATE: 2004/01/05 DATE: 2004/01/05	DRAFT WHERE APPLICABLE MUST REMAIN WITHIN DIMENSIONS		TITLE: 2.00MM DUAL ROW SINGLE WAFER VERTICAL T/H MATERIAL NO.: SEE TABLE DOCUMENT NO.: SD-87758-117	MOLEX INCORPORATED		SHEET NO.: 1 OF 2															
REV: A5			SIZE: A3	THIS DRAWING CONTAINS INFORMATION THAT IS PROPRIETARY TO MOLEX INCORPORATED AND SHOULD NOT BE USED WITHOUT WRITTEN PERMISSION																	



NOTES:

- LEADER AND TRAILER TAPE
- PEELING OFF FORCE OF THE TOP TAPE: 20- 80gf.  
 (PEELING DIRECTION AS SHOWN IN FOLLOWING FIGURE)
- TAPE AND REEL SPECIFICATION IS AS PER EIA-481.

<b>PDR#S-001853-00-00</b> EC NO: S2009-0043 DRWN:SKANG CHKD:ATSEE APPR:MLONG	2008/08/05 2008/08/05 2008/08/06	DESCRIPTION REV	QUALITY SYMBOLS	GENERAL TOLERANCES (UNLESS SPECIFIED)	DIMENSION STYLE	SCALE	DESIGN UNITS	THIRD ANGLE PROJECTION															
			$\blacktriangledown=0$ $\nabla=0$	<table border="1"> <tr> <th></th> <th>mm</th> <th>INCH</th> </tr> <tr> <td>4 PLACES</td> <td>± ---</td> <td>± ---</td> </tr> <tr> <td>3 PLACES</td> <td>± ---</td> <td>± ---</td> </tr> <tr> <td>2 PLACES</td> <td>± 0.20</td> <td>± ---</td> </tr> <tr> <td>1 PLACE</td> <td>± ---</td> <td>± ---</td> </tr> </table>		mm	INCH	4 PLACES	± ---	± ---	3 PLACES	± ---	± ---	2 PLACES	± 0.20	± ---	1 PLACE	± ---	± ---	MM ONLY	NTS	METRIC	
				mm	INCH																		
			4 PLACES	± ---	± ---																		
3 PLACES	± ---	± ---																					
2 PLACES	± 0.20	± ---																					
1 PLACE	± ---	± ---																					
	ANGULAR ± 3 °	DRAWN BY: KSEE CHECKED BY: KCL ING APPROVED BY: SKTOH MATERIAL NO.: SEE TABLE	DATE: 2003/11/03 DATE: 2004/01/05 DATE: 2004/01/05	TITLE: 2.00MM DUAL ROW SINGLE WAFER VERTICAL T/H MOLEX INCORPORATED DOCUMENT NO.: SD-87758-117	SHEET NO.: 2 OF 2																		
			DRAFT WHERE APPLICABLE MUST REMAIN WITHIN DIMENSIONS	SIZE: A3 THIS DRAWING CONTAINS INFORMATION THAT IS PROPRIETARY TO MOLEX INCORPORATED AND SHOULD NOT BE USED WITHOUT WRITTEN PERMISSION																			