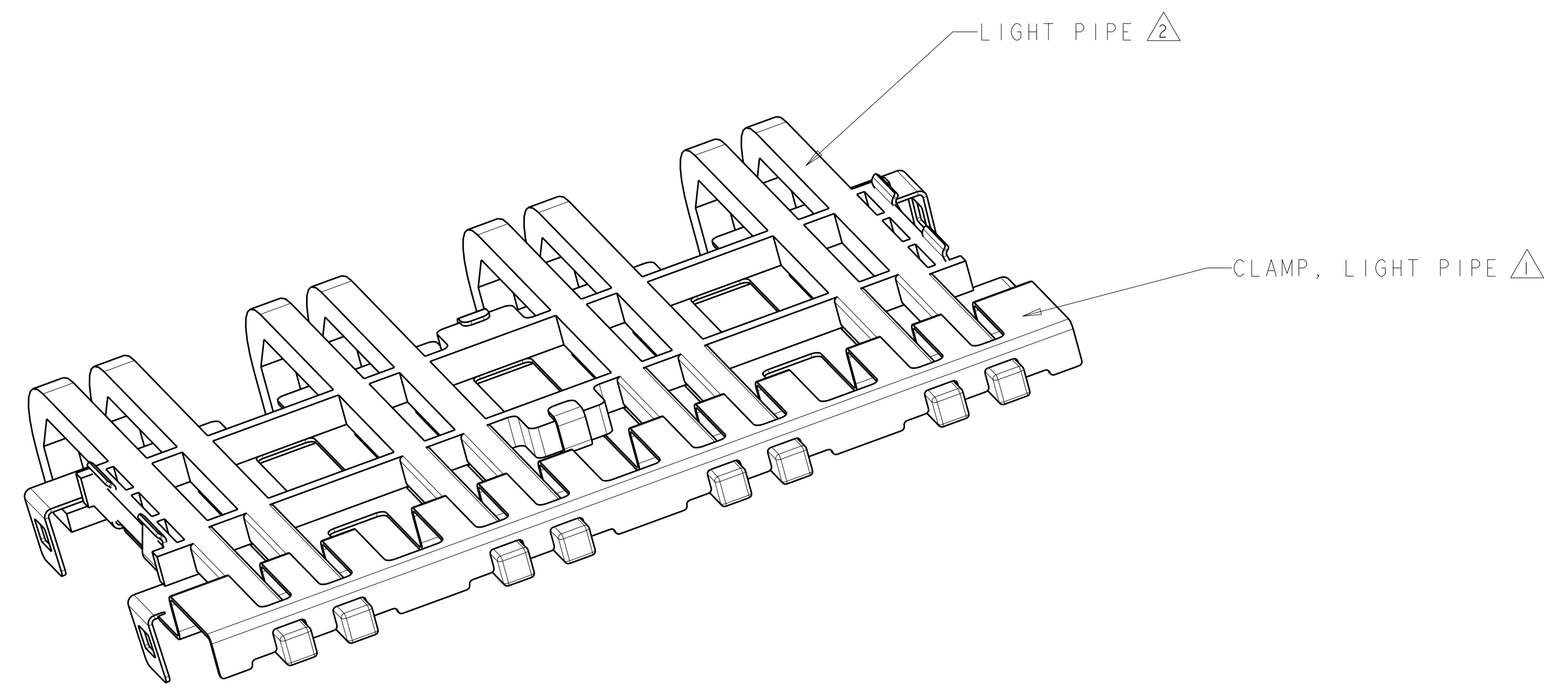
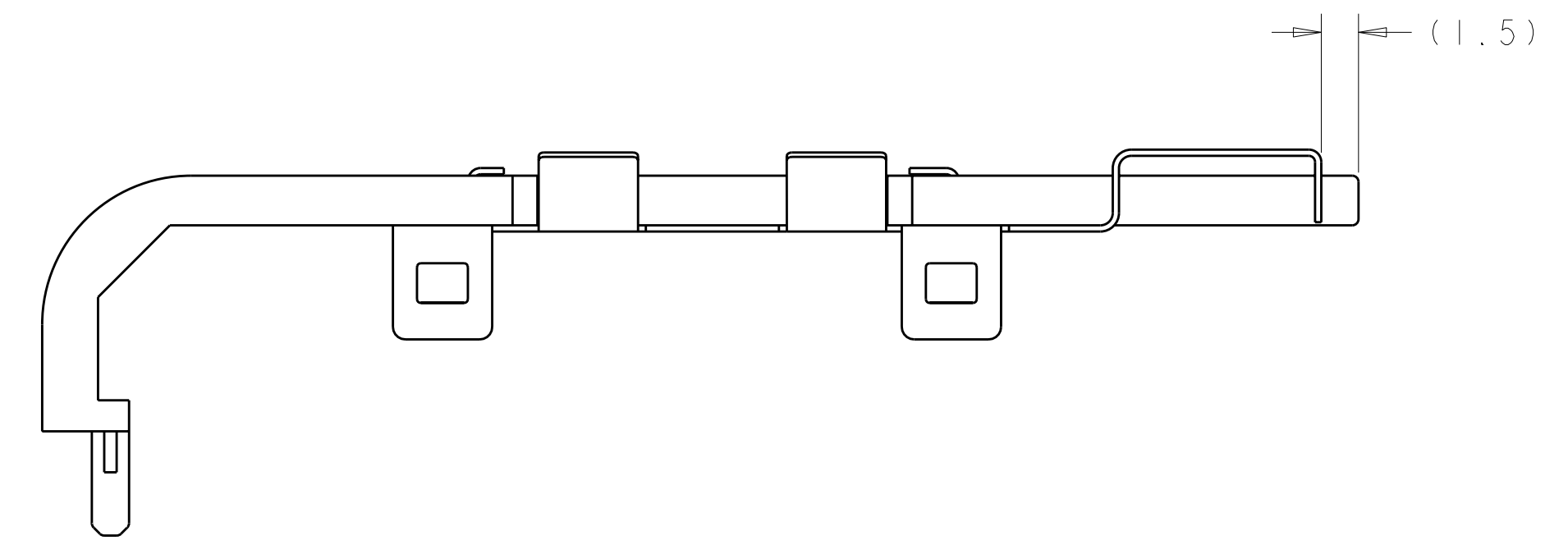
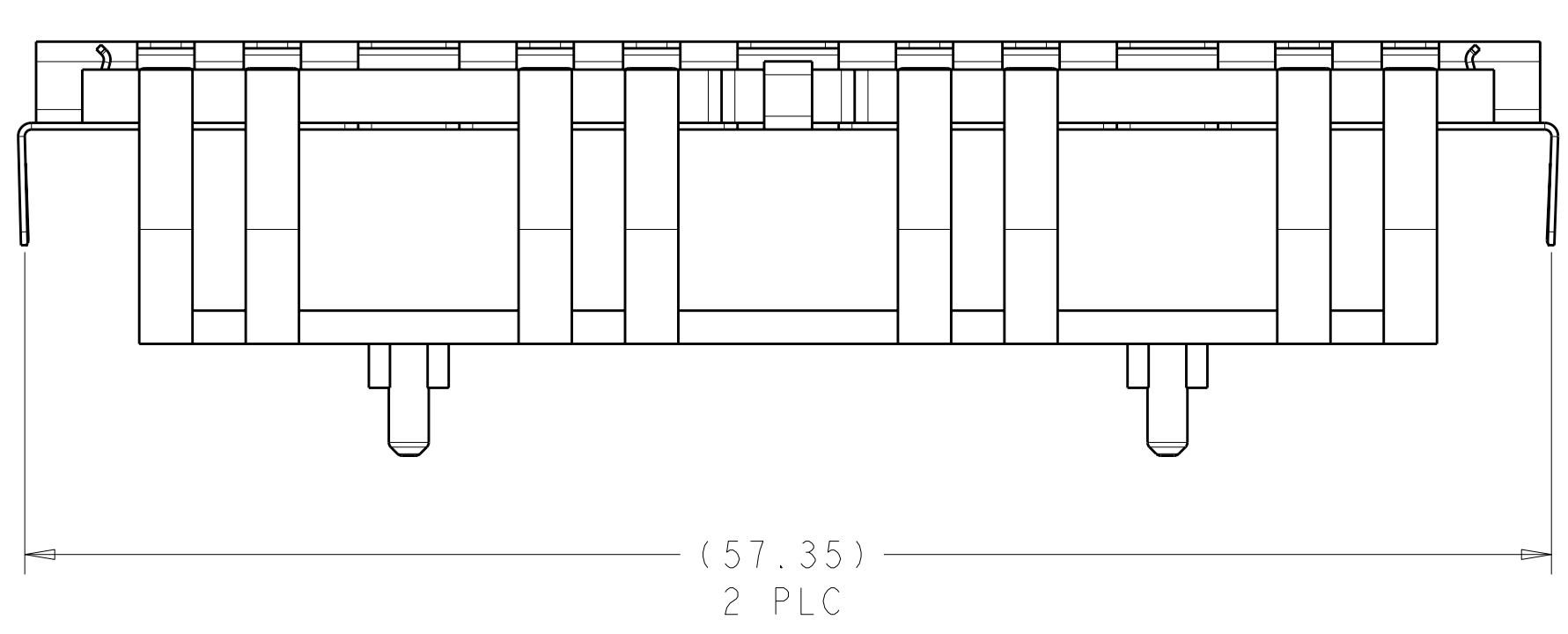


LOC	DIST	REVISIONS			
GP	00	REV	DATE	BY	CHK
		01	09MAR2004	WVS	MJP
		A	08JUL2004	MHC	JK
		A1	21MAY107	ZMR	JRK



△ COPPER ALLOY, TIN PLATED PER ASTM B 545, 1.25 μm MINIMUM THICKNESS, OVER NICKEL FLASH PER QQ-N-290. NON PLATED EDGES ARE PERMISSIBLE

△ POLYCARBONATE, CLEAR.



IX4 LIGHT PIPE KIT	1761012-1
DESCRIPTION	PART NO

<small>THIS DRAWING IS UNPUBLISHED. RELEASED FOR PUBLICATION. ALL RIGHTS RESERVED. THIS DRAWING IS UNPUBLISHED. RELEASED FOR PUBLICATION. ALL RIGHTS RESERVED.</small>		DWN W VAN SCYOC 09MAR2004 CHK M.J. PHILLIPS 09MAR2004 APVD M.J. PHILLIPS 09MAR2004	Tyco Electronics Harrisburg, PA 17105-3608
DIMENSIONS: mm 	TOLERANCES UNLESS OTHERWISE SPECIFIED: 0 PLC ± 1 PLC ± 2 PLC ±0.10 3 PLC ± 4 PLC ± ANGLES ±2°	NAME ASSEMBLY, LIGHT PIPE KIT IX4, SFP PRODUCT SPEC APPLICATION SPEC 114-13120 WEIGHT CUSTOMER DRAWING	SIZE CAGE CODE DRAWING NO RESTRICTED TO A 00779 C=1761012 SCALE 4:1 SHEET 1 OF 1 REV A1