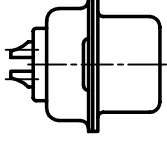
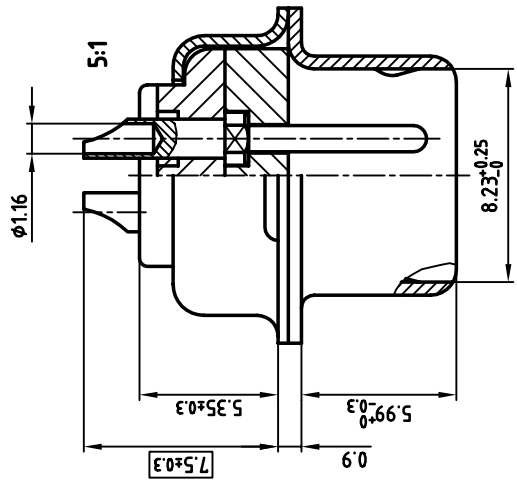
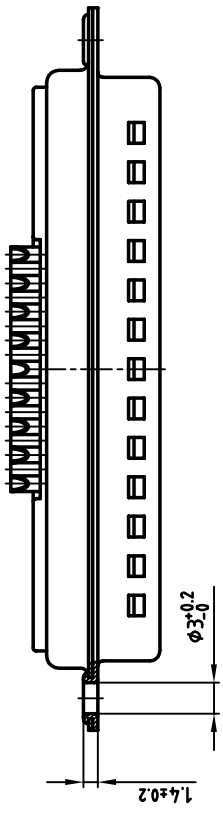
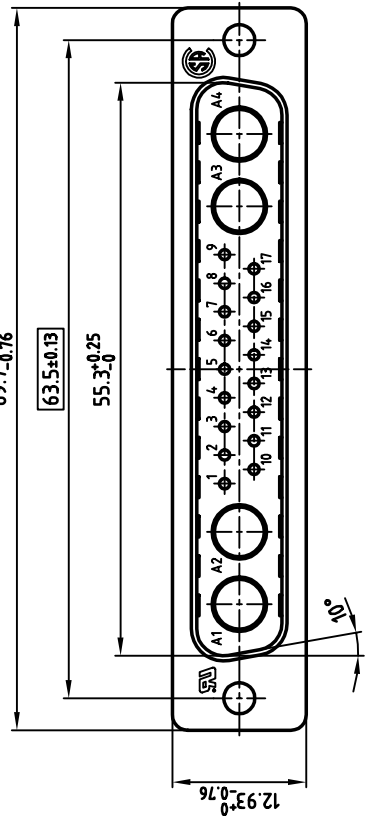


used for: D-SUB COMBINATION



NOTES:

1. METALSHELLS: STEEL; TIN PLATED
2. INSULATORS: PBT GF, UL 94 V-0; GREEN
3. CONTACTS: COPPER ALLOY
4. PLATING: min. 30µ" HARD GOLD OVER min. 50µ" NICKEL
5. = CRITICAL DIMENSION: SPC

Directive 2002/95/EC
"RoHS"
Compliant

NORTEL		tolerance	scale: 2:1 (5:1)	material: SEE NOTES	
1999	date	name	title:		
drawn	25.01.	Barcinski	D-SUB COMBINATION MALE		
appd.	25.01.	Mickenbecker	21WA4P SOLDER CUP		
norm			dwg no: [CAD/ REL:13] DIN-A		
4-old			3		
rev. description	date	name	product no: 321WA4PC99A10X		
			13K11M2A		
			sh: 1/1		

THIS DRAWING MAY NOT BE COPIED OR REPRODUCED IN ANY WAY, AND MAY NOT BE PASSED ON TO A THIRD PARTY WITHOUT WRITTEN PERMISSION. OWNERSHIP AND COPYRIGHT OF CONEC GMBH DO NOT ALTER CAD DRAWING BY HAND

