



PRODUCT NUMBER
20020520-XXXXXXLF

20020520-□ □ □ □ □ □ L F

PITCH

U : 10.16 mm

POLES

02 : 2 POLES
03 : 3 POLES
04 : 4 POLES
08 : 08 POLES

LF : DENOTED RoHS COMPATIBLE

1 : STANDARD PRODUCT
W/ BOX PACKING

SCREW CODE

CODE	SCREW TYPE	AVAILABILITY
A	-/+	ON REQUEST ONLY
B	-	STANDARD

PROPERTY TABLE			
FCI SERIES NAME		28-1016	
PITCH (mm)		10.16	
VOLTAGE RATING (VAC)		300	
CURRENT RATING (A)		55	
APPLICABLE WIRE RANGE (AWG)	1-WIRE	6~20	
	2-WIRE	10	
WIRE CROSS SECTION (mm ²)	SOLID	1-WIRE	16
		2-WIRE	6
	STRANDED	1-WIRE	16
		2-WIRE	6
OPENING CONTACT HOUSING(mm ²)		5.5x6.0	
WIRE STRIP LENGTH(mm)		13~14	
TORQUE +/-10% (N-m/Lb-in)		1.15/10.4	
SCREW		M4.5x0.75	
WITHSTANDING VOLTAGE (kV)		1.6	
OPERATING TEMP. (°C)		-40~+115	
SOLDERING TEMP. (°C)		250±10 (5 sec.)	
POLES AVAILABLE		02~08	
SAFETY CERTIFICATE		us	

HOUSING CODE

CODE	COLOR	AVAILABILITY
1	GREEN(RAL 6018/T)	STANDARD
2	BLACK	ON REQUEST ONLY
3	GREY(RAL 7004/P)	ON REQUEST ONLY
4	BLUE(RAL 5015/A)	ON REQUEST ONLY

NOTES:

1. MATERIALS

- 1-1 HOUSING: THERMALPLASTIC RESIN, UL 94V-0 RATED.
- 1-2 TERMINAL COVER: THERMALPLASTIC RESIN, UL 94V-0 RATED.
- 1-3 SCREW: STEEL, ZINC PLATED.
- 1-4 CLAMP: COPPER ALLOY, NICKEL PLATED.
- 1-5 TERMINAL: COPPER ALLOY, TIN PLATED.
- 1-6 WIRE GUARD: STAINLESS STEEL.

2. PRODUCTION SPECIFICATION REFER TO FCI GS-12-625.

3. BOXED PACKAGING.

DETAILED PRODUCT PACKING SPECIFICATION REFER TO FCI GS-14-1394.

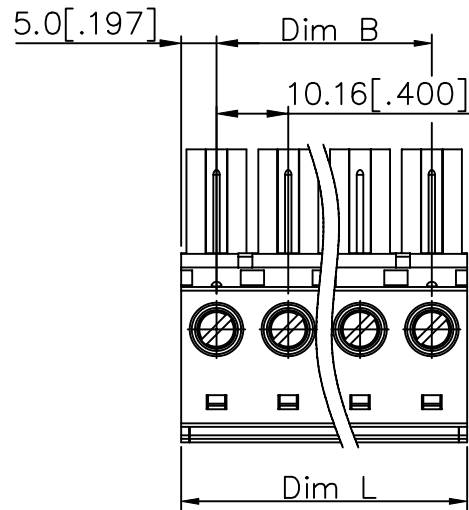
4. FCI, SAFETY CERTIFICATE LOGO AND SERIES NAME TO BE SHOWN ON PRODUCT SURFACE.

5. THE PRODUCTS WHERE THE PART NUMBER END IN "LF" MEET THE EUROPEAN UNION DIRECTIVE AND OTHER COUNTRY REGULATIONS AS DESCRIBED IN GS-22-008.

mat'l. code		surface ASME Y14.5	tolerance ASME Y14.5	projection 	product family TERMINAL BLOCK
ltr	ecn no	dr	date	tolerances unless otherwise specified	title
A	T10-0160	WL	101210	angles X.±0.5	TERMINAL BLOCK PLUGGABLE, POWER, PLUG
B	T10-0187	WL	121410	MM [INCH]	
C	T-005285	WL	082311	X'±1' X.XX±0.1	
sheet index		revision	C	C	scale
		sheet	1	2	dwg no
					sheet 1 of 2
					size
					20020520
					A4
					type
					CUSTOMER Drawing



PRODUCT NUMBER	SERIES NAME	PITCH
20020520-UXXXXXLF	28-1016	10.16 mm

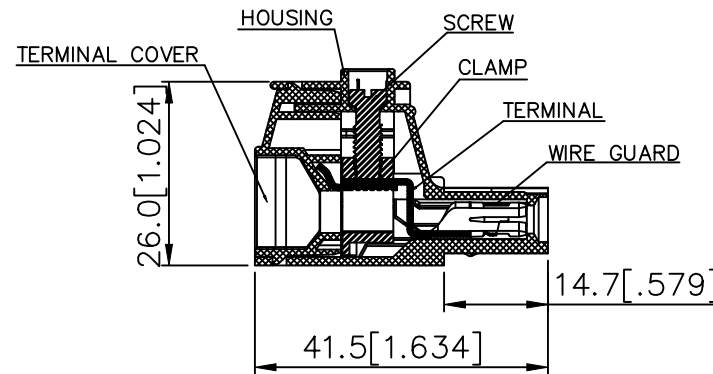
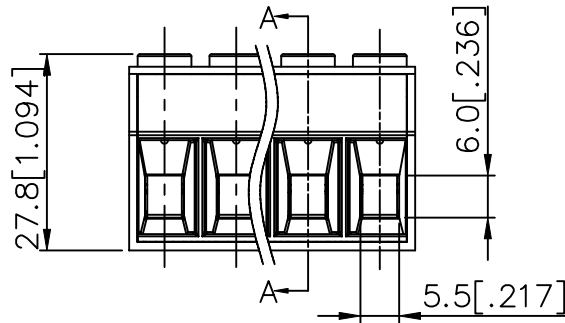


DIMENSION

Dim L	$N \times 10.16 [.400] - 0.16 [.006]$
Dim B	$(N-1) \times 10.16 [.400]$

N=Number of contacts

Poles	Tolerance
2p-3p	$\pm 0.15 [.006]$
4p-6p	$\pm 0.20 [.008]$
7p-8p	$\pm 0.30 [.012]$



SECTION A-A

mat'l. code		surface ASME Y14.5	tolerance ASME Y14.5	projection 	product family TERMINAL BLOCK		
ltr	ecn no	dr	date	title TERMINAL BLOCK PLUGGABLE, POWER, PLUG			
c		angles	$X \pm 0.5$	MM [INCH]	scale		
		$X \pm 1^\circ$	$X.X \pm 0.3$				
			$X.XX \pm 0.1$				
		dr	WENDY CHEN 091410		dwg no	sheet 2 of 2	size
		enr	JASON HSU 091410		20020520	A4	
		chr	JASON HSU 091410				
		appd	JASON HSU 091410				
sheet index	revision sheet				type	CUSTOMER Drawing	