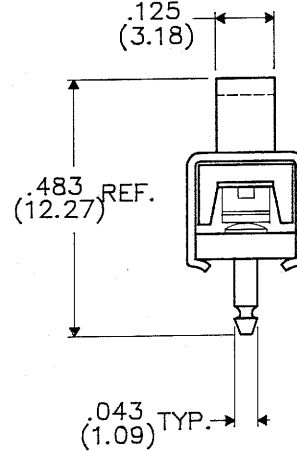
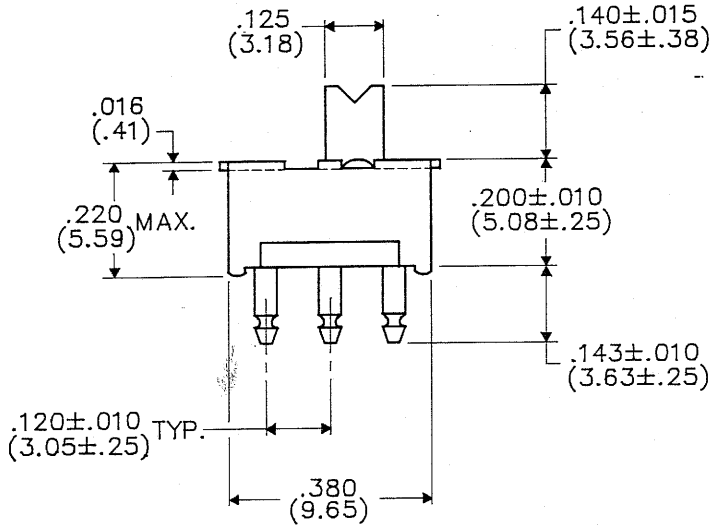
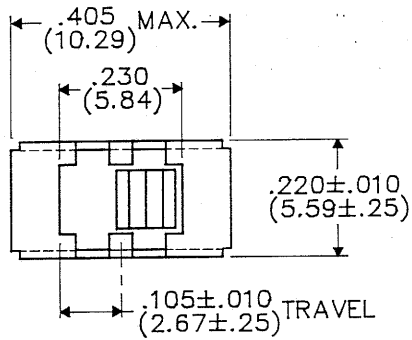


DIMENSIONS IN INCHES (MILLIMETERS)
DO NOT SCALE DRAWING...

Drawing No. **GS-115-0033**



B-FORM-0

REVISIONS

0

RELEASED
MAM 7-12-90
PJK

CW INDUSTRIES
Southampton, Pa. 18966

TOLERANCES UNLESS OTHERWISE SPECIFIED
 2 Place decimal ±.010 METRIC
 3 Place decimal ±.005 1 Place dec. ±.25 MM
 Angles 1° 2 Place dec. ±.13 MM

Made for: CW Ind.
 Drawn by: MAM 7-12-90
 Checked by: PJK 7-13-90
 Approval: PJK 7-13-90

Title **ASSEMBLY DRAWING**
SWDGET JR.
S.P. D.T.

Division **SWITCH**

Drawing No. **GS-115-0033**