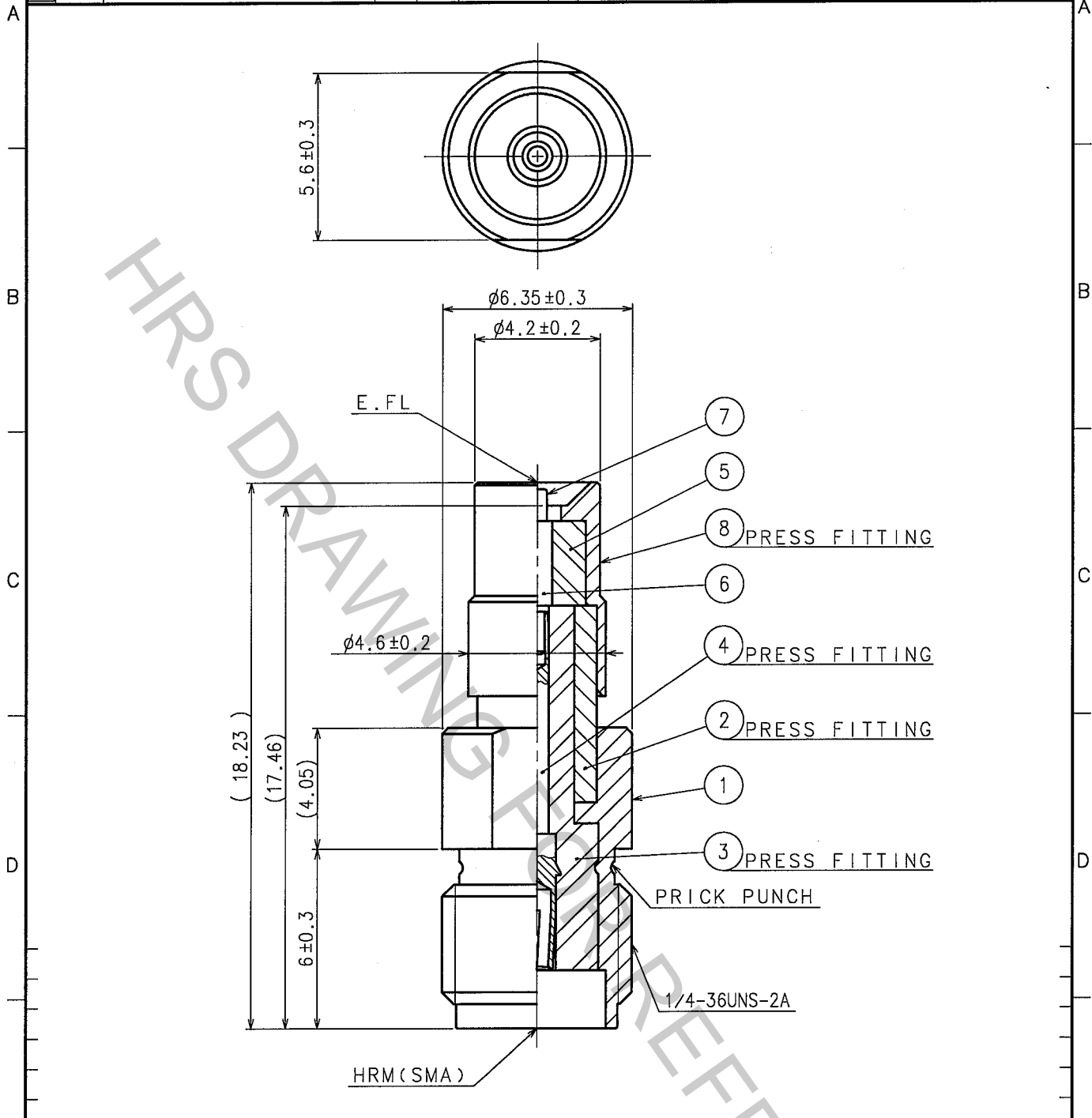


1				2				3				4			
COUNT	DESCRIPTION OF REVISIONS			BY	CHKD	DATE	COUNT	DESCRIPTION OF REVISIONS			BY	CHKD	DATE		
△						.	△						.		
△						.	△						.		
△						.	△						.		



4	BERYLLIUM COPPER	GOLD PLATING	8	STAINLESS STEEL	GOLD PLATING
3	PTFE		7	BRASS	GOLD PLATING(FREE CONTACT)
2	BRASS	NICKEL PLATING	6	BRASS	GOLD PLATING
1	BRASS	NICKEL PLATING	5	PTFE	
NO.	MATERIAL	FINISH, REMARKS	NO.	MATERIAL	FINISH, REMARKS

CODE NO. (OLD)		DRAWN	DESIGNED	CHECKED	APPROVED	RELEASED
ROHS COMPLIANT		R.KIMURA	R.KIMURA	<i>M. Yamane</i>	<i>J. Mitani</i>	
		05.08.11	05.08.11	05.08.23	05.08.26	
DRAWING NO. EDC4-130748-40		PART NO. HRMJ-E.FLP-5(40)				
UNITS mm		CODE NO. CL311-0294-1-40				1/1

TO
RF

