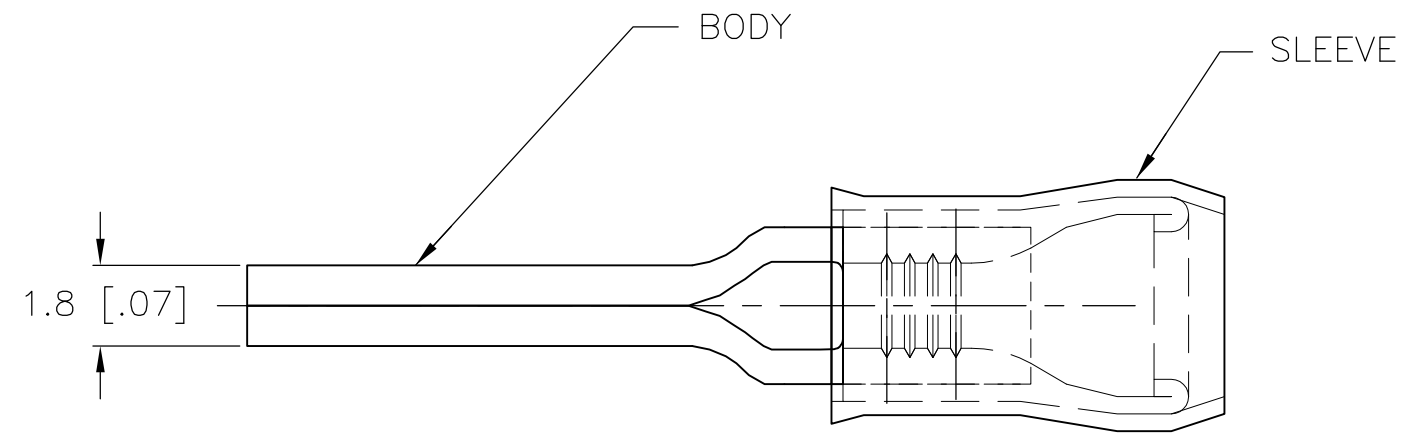


THIS DRAWING IS UNPUBLISHED. RELEASED FOR PUBLICATION  
 © COPYRIGHT - By - ALL RIGHTS RESERVED.

LOC	DIST	REVISIONS					
		P	LTR	DESCRIPTION	DATE	DWN	APVD
G	14		B3	REVISED PER ECO-16-003938	16MAR2016	NK	DR

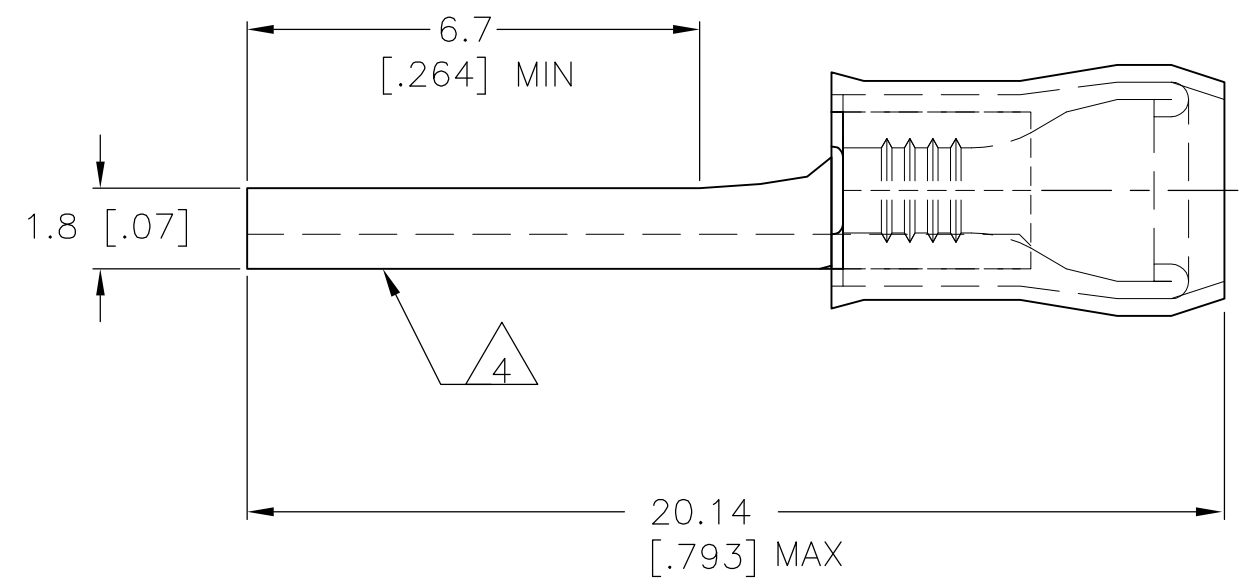


**AMP**  
WIRE RANGE

---

22-16 AWG  
STRANDED

- 1 WIRE INSULATION DIA.  
2.67-3.56 [.105-.140] DIA.
- 2 MATERIAL: BODY - CU PER ASTM B152  
SLEEVE - NYLON
- 3 FINISH: BODY - TIN PL ASTM B545  
SLEEVE - COLOR - RED
- 4 STAMP AMP 22-16\* APPROX AS SHOWN
- 5 LOOSE PIECE PART NUMBER 165142



5000	ON TAPE	696153-2
QTY	PACKAGE TYPE	PART NO

**AMP INCORPORATED**  
CUSTOMER SERVICE SYSTEMS

FOR ADDITIONAL PRODUCT INFORMATION OR COPIES OF DRAWINGS AND TECHNICAL DOCUMENTS  
 PRODUCT INFORMATION CENTER  
 1-800-522-6752

FOR APPLICATION TOOLING INFORMATION  
 TOOLING ASSISTANCE CENTER  
 1-800-722-1111

FOR ORDER ENTRY  
 1-800-526-5142

MAX RECOMMENDED OPERATING TEMPERATURE:  
105°C [221°F]

VOLTAGE RATING:  
-

CIRCULAR MIL AREA:  
0.25-1.6mm<sup>2</sup> [493-3158] STRANDED

THIS DRAWING IS A CONTROLLED DOCUMENT.

DIMENSIONS: mm [INCHES]

TOLERANCES UNLESS OTHERWISE SPECIFIED:

0 PLC	± -
1 PLC	± 0.38 [.015]
2 PLC	± 0.20 [.008]
3 PLC	± -
4 PLC ANGLES	± -

MATERIAL: 2

FINISH: 3

DWN: JR RUTH 19JAN00  
 CHK: T MICHELUTTI 19JAN00  
 APVD: T MICHELUTTI 19JAN00

PRODUCT SPEC: -  
 APPLICATION SPEC: -  
 WEIGHT: -

**STE** TE Connectivity

NAME: TERMINAL, WIRE PIN, PIDG  
WIRE SIZE, 22-16 AWG

SIZE: A3 CAGE CODE: 00779 DRAWING NO: C-696153 RESTRICTED TO: -

CUSTOMER DRAWING SCALE: 6:1 SHEET: 1 OF 1 REV: B3