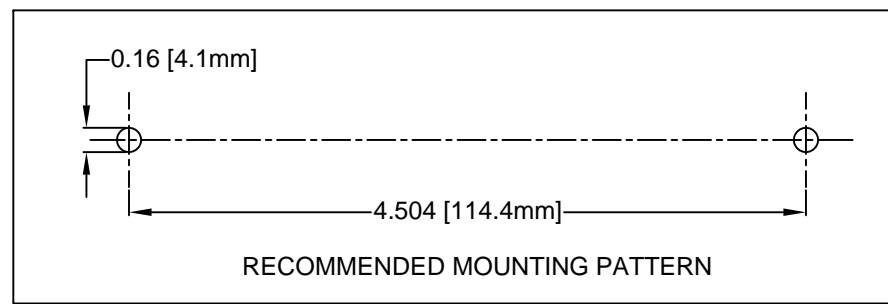
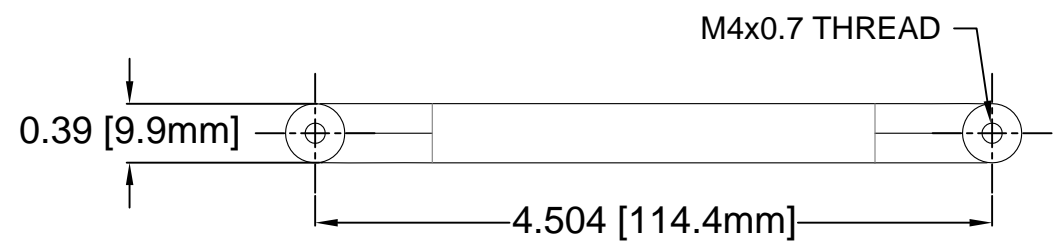
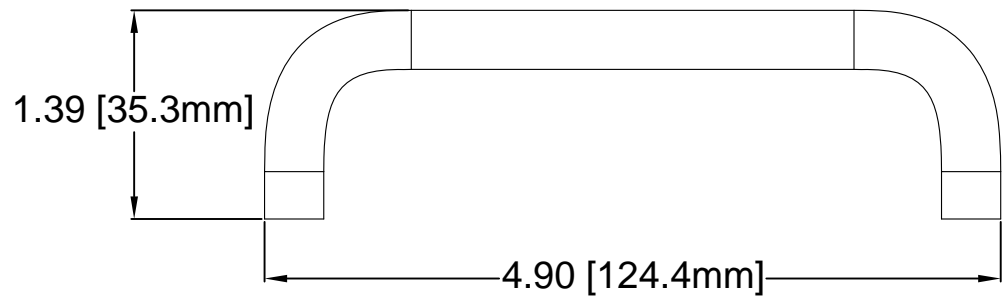
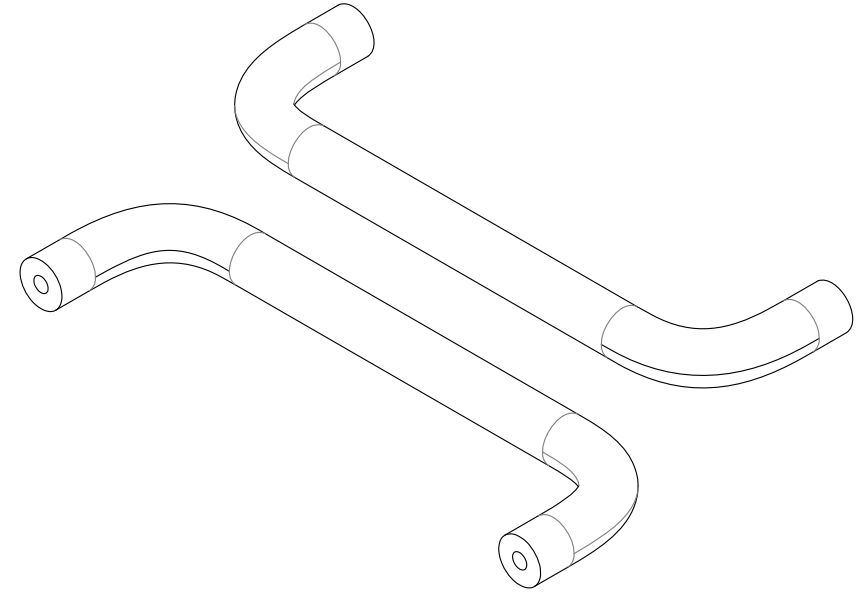
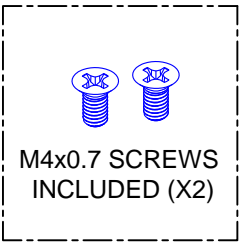


REV.	DESCRIPTION	DATE	APPROVED
A	Engineering Release	07/17/14	J. C.
B	Engineering Update w/o Changes	05/21/16	J. C.



NOTES:  
 2. MOUNTING HARDWARE SHIPPED UNASSEMBLED  
 1. MATERIAL: ALUMINUM

STANDARD TOLERANCE (UNLESS OTHERWISE SPECIFIED)		 4 THOMAS, IRVINE, CA. 92618 TEL: (949) 951-8808 FAX: (949) 951-3974	
DECIMALS	ANGULAR		
.X ± .1	X° ± 1°		TITLE: 3U SUBRACK HANDLE, ROUND
.XX ± .02			DESIGNED: <b>A. Wright</b>
.XXX ± .010		CHECKED: <b>B. Oliver</b>	DATE: <b>07/17/14</b>
		PART NO: <b>SRH-3RUR</b>	REVISION: <b>B</b>
		CAGE CODE : <b>32559</b>	SHEET # <b>1</b> OF <b>1</b>
CAD GENERATED DOCUMENT. DO NOT MEASURE DRAWING.			