

## SACB-4/4- 5,0PUR


Order No.: 1680940

The illustration shows a version with 8 slots

<http://eshop.phoenixcontact.de/phoenix/treeViewClick.do?UID=1680940>

Sensor/actuator box, M12 female connector, Number of slots: 4,  
Number of positions: 4, Slot assignment: Single, Status indication: No,  
Universal 180°, PUR/PVC, Cable length: 5 m, Shielding: No

### Commercial data

|                          |   |
|--------------------------|---|
| GTIN (EAN)               | <br>4 017918 171148 |
| sales group              | D101  |
| Pack                     | 1 pcs.  |
| Customs tariff           | 85366990  |
| Catalog page information | Page 114 (PC-2009)  |

### Product notes

WEEE/RoHS-compliant since:  
12/14/2005



<http://www.download.phoenixcontact.com>  
Please note that the data given here has been taken from the online catalog. For comprehensive information and data, please refer to the user documentation. The General Terms and Conditions of Use apply to Internet downloads.

### Technical data

#### General data

|  |       |
|--|-------|
| Rated voltage                            | 120 V |
| Max. operating voltage $U_{max}$         | 135 V |
| Current carrying capacity per I/O signal | 2 A   |
| Current carrying capacity per slot       | 4 A   |
| Total rated current                      | 12 A  |

|                                    |                      |
|------------------------------------|----------------------|
| Number of positions                | 4                    |
| Number of slots                    | 4                    |
| Degree of protection               | IP65/IP67            |
| Inflammability class acc. to UL 94 | V0                   |
| Ambient temperature (operation)    | -25 °C ... 75 °C     |
| Sensor/actuator connection system  | M12 female connector |

**Master cable data**

|                                     |  |
|-------------------------------------|--|
| Type of connection                  | Fixed connection   |
| Length of cable                     | 5 m  |
| Cable type                          | Master cable suitable for flexible cable conduit   |
| Signal line cross section           | 4x 0.34 mm <sup>2</sup>  |
| AWG signal line                     | 22   |
| Conductor structure signal line     | 42x 0.10 mm  |
| Power supply cross section          | 3x 0.75 mm <sup>2</sup>  |
| AWG power supply                    | 18   |
| Conductor structure, voltage supply | 96x 0.10 mm  |
| External diameter                   | 8.7 mm   |
| Max. bending cycles                 | 1500000  |
| Bending radius                      | 90 mm  |
| Traversing path                     | 2 m  |
| Traversing rate                     | 2 m/s  |
| Ambient temperature (operation)     | -40 °C ... 90 °C (for fixed installation)<br>-5 °C ... 80 °C (for flexible installation) |

**Insulation material**

|                          |       |
|--------------------------|-------|
| Housing material         | PA    |
| Contact material         | CuSn  |
| Contact surface material | Ni/Au |
| Contact carrier material | PA    |
| Material, O-ring         | NBR   |

**Pin assignment**

|  |                |
|--|----------------|
| Slot/position = Wire color or connection | 1 / 4 (A) = WH |
|--|----------------|

|  |                        |
|--|------------------------|
|  | 2 / 4 (A) = GN         |
|  | 3 / 4 (A) = YE         |
|  | 4 / 4 (A) = GY         |
|  | 1-4 / 1 (+ 120 V) = BN |
|  | 1-4 / 3 (0 V) = BU     |
|  | 1-4 / 5 (PE) = GN/YE   |

**Certificates / Approvals**



Certification CUL, GOST, UL

**Accessories**

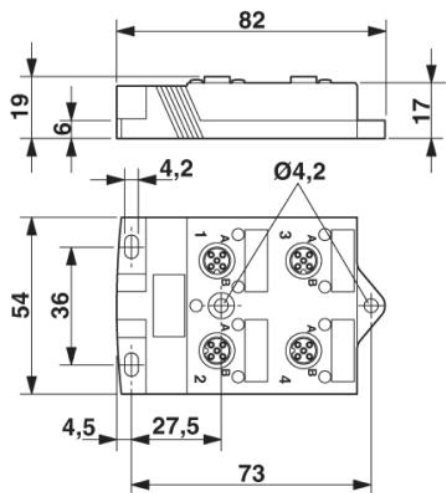
| Item           | Designation       | Description   |
|----------------|-------------------|---|
| <b>Marking</b> |                   |   |
| 2809128        | ZBN 18:UNBEDRUCKT | Unprinted marker labels, strips with 5 labels for individual labeling with M-PEN or CMS system, for terminal block width: 17.5 mm, color: White |

| <b>Protection and sealing elements</b> |          |   |
|--|----------|---|
| 1680539                                | PROT-M12 | An M12 screw plug for the unoccupied M12 sockets of the sensor/ actuator cable, boxes and flush-type connectors |

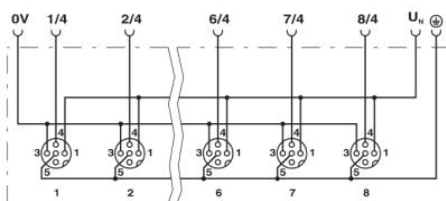
| <b>Tools</b> |                  |   |
|--------------|------------------|---|
| 1208432      | SAC BIT M12-D15  | Nut for assembling sensor/actuator cables with M12 connector and for M12 connectors with QUICKON fast connection technology, for 4 mm hexagonal drive |
| 1208445      | SACC BIT M12-D20 | Nut for assembling SACC M12 connectors for free assembly, excluding M12 connectors with QUICKON fast connection technology, for 4 mm hexagonal drive  |
| 1208429      | TSD 04 SAC       | Torque screwdriver, with preset torque of 0.4 Nm and 4 mm hexagonal drive for M12 connectors  |

**Diagrams/Drawings**

Dimensioned drawing

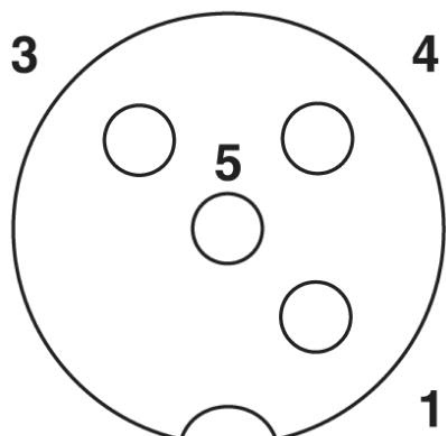


Circuit diagram



Schematic diagram

M12 slot, socket, 4-pos.



**Address**

PHOENIX CONTACT Inc., USA  
586 Fulling Mill Road  
Middletown, PA 17057, USA  
Phone (800) 888-7388  
Fax (717) 944-1625  
<http://www.phoenixcon.com>



© 2010 Phoenix Contact  
Technical modifications reserved;