

NOTES:

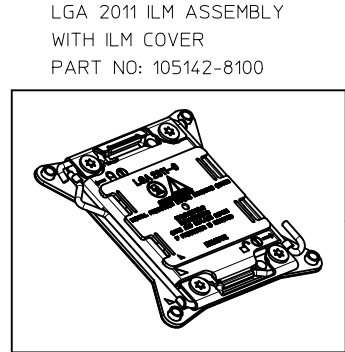
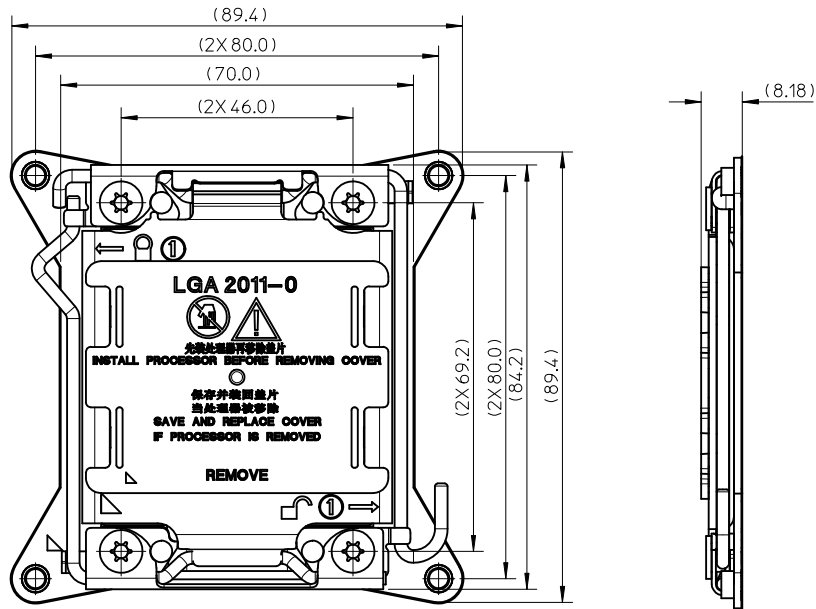
- DATE CODE
- DIMENSION A : ILM HEIGHT DEFINE

STATUS	HEIGHT
PER-ASSEMBLY	7.55±0.30
AFTER ASSEMBLY	7.23±0.30

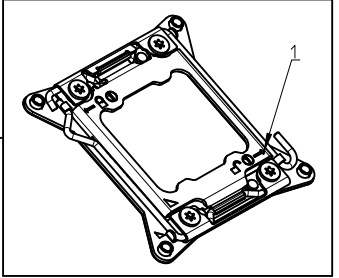
3.THE PARTS 10514\*\*\*\*\* COMPLIANT TO RoHS DIRECTIVE 2002/95/EC AND ELV 2000/53/EC.

TOP	COMPONENT				
	ITEM NO	Q'TY	PART NO.	DESCRIPTION	MATERIAL
LGA 2011 ILM ASSEMBLY  PART NO: 105142-8000	1	4	105143-8001	LGA2011 CAPTIVE NUT, SHOULDER(Ø6-32 THREAD)	STEEL WITH NICKEL PLATING
	2	1	105143-8002	LGA2011 ILM ACTIVE LEVER	STAINLESS STEEL
	3	4	105143-8003	LGA2011 ILM CAPTIVE NUT COLLAR, SHOULDER	STEEL WITH NICKEL PLATING
	4	1	105143-8004	LGA2011 ILM CLEVIS, ACTIVE	STAINLESS STEEL
	5	1	105143-8005	LGA2011 ILM CLEVIS, HINGE	STAINLESS STEEL
	6	1	105143-8007	LGA2011 ILM FRAME	STEEL WITH NICKEL PLATING
	7	1	105143-8008	LGA2011 ILM FRAME INSULATOR	HALOGEN FREE POLYCARBONATE SHEET
	8	1	105143-8009	LGA2011 ILM HINGE LEVER	STAINLESS STEEL
	9	4	105143-8010	LGA 2011 ILM HS STUD (M4 X 0.7MM THREAD)	STEEL WITH NICKEL PLATING
	10	1	105143-8011	LGA2011 ILM LOADPLATE	STAINLESS STEEL
	11	4	105143-8012	LGA2011 ILM RIVET	STAINLESS STEEL

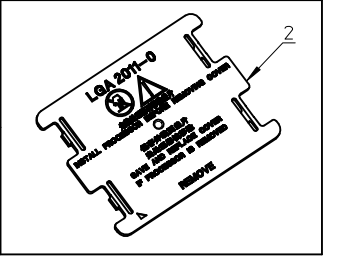
<b>PROPOSED</b> EC NO: SH2012-0197 DRWN: YXZHENG 2011/05/13 CHKD: APPR: AYIN 2012/06/22	QUALITY SYMBOLS $F=0$ $F=0$ $F=0$	GENERAL TOLERANCES (UNLESS SPECIFIED) DIMENSION STYLE <b>MM ONLY</b>	SCALE <b>1:1</b>	DESIGN UNITS <b>METRIC</b>	THIRD ANGLE PROJECTION
		4 PLACES ± --- ± --- 3 PLACES ± --- ± --- 2 PLACES ± 0.20 ± --- 1 PLACE ± 0.30 ± ---	DRAWN BY YXZHENG DATE 2011/01/26	TITLE <b>ILM AND BACK PLATE DRAWING FOR LGA 2011 SOCKET</b>	
		ANGULAR ± 3 °	APPROVED BY  DATE	<b>molex</b> MOLEX INCORPORATED	
		DRAFT WHERE APPLICABLE MUST REMAIN WITHIN DIMENSIONS	MATERIAL NO. <b>SEE TABLE</b>	DOCUMENT NO. <b>SD-105142-800</b>	SHEET NO. <b>1 OF 9</b>



LGA 2011 ILM ASSEMBLY WITH ILM COVER  
PART NO: 105142-8100



LGA 2011 ILM ASSEMBLY  
PART NO: 105142-8000



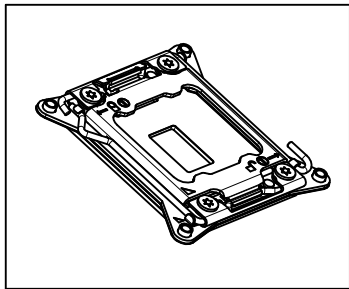
LGA 2011 ILM COVER  
PART NO: 105143-8006

Q'T	ITEM NO	PART NO.	DESCRIPTION
1	TOP	105142-8100	LGA 2011 ILM ASSEMBLY WITH ILM COVER
1	1	105142-8000	LGA2011 ILM ASSEMBLY
1	2	105143-8006	LGA2011 ILM COVER ( PC/ABS)

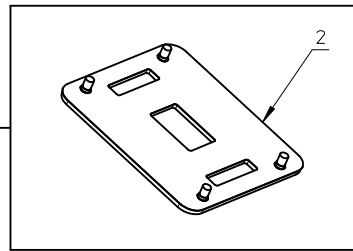
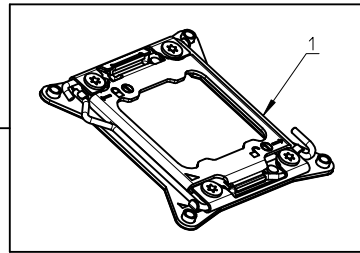
PROPOSED EC NO: SH2012-0197 DRWN: YXZHENG CHKD: APPR: AYIN 2011/05/13 2012/06/22	DESCRIPTION REV	QUALITY SYMBOLS	GENERAL TOLERANCES (UNLESS SPECIFIED)	DIMENSION STYLE	SCALE	DESIGN UNITS	THIRD ANGLE PROJECTION															
		$\nabla_A = 0$ $\nabla_B = 0$ $\nabla_C = 0$	<table border="1"> <thead> <tr> <th></th> <th>mm</th> <th>INCH</th> </tr> </thead> <tbody> <tr> <td>4 PLACES</td> <td>± ---</td> <td>± ---</td> </tr> <tr> <td>3 PLACES</td> <td>± ---</td> <td>± ---</td> </tr> <tr> <td>2 PLACES</td> <td>± 0.20</td> <td>± ---</td> </tr> <tr> <td>1 PLACE</td> <td>± 0.30</td> <td>± ---</td> </tr> </tbody> </table>		mm	INCH	4 PLACES	± ---	± ---	3 PLACES	± ---	± ---	2 PLACES	± 0.20	± ---	1 PLACE	± 0.30	± ---	MM ONLY	1:1	METRIC	
			mm	INCH																		
		4 PLACES	± ---	± ---																		
3 PLACES	± ---	± ---																				
2 PLACES	± 0.20	± ---																				
1 PLACE	± 0.30	± ---																				
DRAWN BY: YXZHENG DATE: 2011/01/26 CHECKED BY: DATE: APPROVED BY: DATE:	DRAFT WHERE APPLICABLE MUST REMAIN WITHIN DIMENSIONS		SEE TABLE	MOLEX INCORPORATED DOCUMENT NO. SD-105142-800		SHEET NO. 2 OF 9																
A	REV			SIZE A3	THIS DRAWING CONTAINS INFORMATION THAT IS PROPRIETARY TO MOLEX INCORPORATED AND SHOULD NOT BE USED WITHOUT WRITTEN PERMISSION																	

10 9 8 7 6 5 4 3 2 1

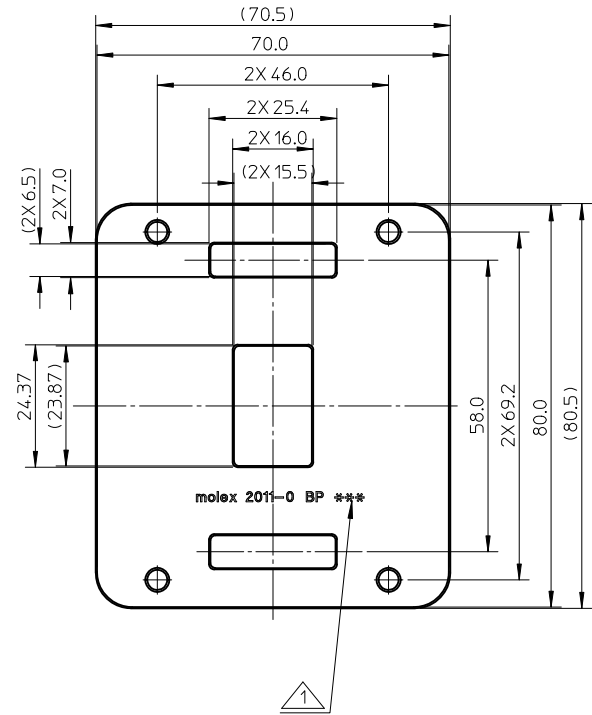
LGA 2011 ILM ASSEMBLY  
AND BACK PLATE ASSEMBLY  
PART NO: 105142-8200



LGA 2011 ILM ASSEMBLY  
PART NO: 105142-8000



LGA 2011 BACK PLATE ASSEMBLY  
PART NO: 105142-7000



Q'T	ITEM NO	PART NO.	DESCRIPTION
1	TOP	105142-8200	LGA 2011 ILM ASSEMBLY AND BACK PLATE ASSEMBLY
1	1	105142-8000	LGA2011 ILM ASSEMBLY
1	2	105142-7000	LGA2011 BACK PLATE ASSEMBLY

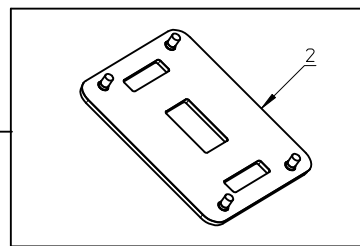
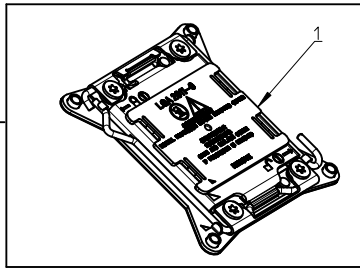
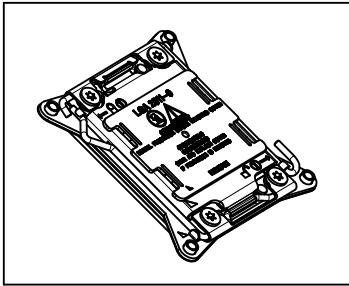
PROPOSED EC NO: SH2012-0197 DRWN: YXZHENG CHKD: APPR: AYIN	2011/05/13 2012/06/22	DESCRIPTION REV	QUALITY SYMBOLS $F_A=0$ $F_B=0$ $F_C=0$
			GENERAL TOLERANCES (UNLESS SPECIFIED) mm INCH 4 PLACES $\pm$ --- $\pm$ --- 3 PLACES $\pm$ --- $\pm$ --- 2 PLACES $\pm$ 0.20 $\pm$ --- 1 PLACE $\pm$ 0.30 $\pm$ --- ANGULAR $\pm$ 3 °
			DRAFT WHERE APPLICABLE MUST REMAIN WITHIN DIMENSIONS

DIMENSION STYLE <b>MM ONLY</b>		SCALE <b>1:2</b>	DESIGN UNITS <b>METRIC</b>	THIRD ANGLE PROJECTION
DRAWN BY YXZHENG	DATE 2011/01/26	TITLE <b>ILM AND BACK PLATE DRAWING FOR LGA 2011 SOCKET</b>		
CHECKED BY	DATE	MOLEX INCORPORATED		
APPROVED BY	DATE	MOLEX INCORPORATED		
MATERIAL NO. <b>SEE TABLE</b>	DOCUMENT NO. <b>SD-105142-800</b>	SHEET NO. <b>3 OF 9</b>		
THIS DRAWING CONTAINS INFORMATION THAT IS PROPRIETARY TO MOLEX INCORPORATED AND SHOULD NOT BE USED WITHOUT WRITTEN PERMISSION				

9 8 7 6 5 4 3 2 1

LGA 2011 ILM ASSEMBLY  
WITH ILM COVER  
PART NO: 105142-8100

LGA 2011 ILM ASSEMBLY  
WITH ILM COVER AND BACK  
PLATE ASSEMBLY  
PART NO: 105142-8300



LGA 2011 BACK PLATE ASSEMBLY  
PART NO: 105142-7000

Q'T	ITEM NO	PART NO.	DESCRIPTION
1	TOP	105142-8300	LGA 2011 ILM ASSEMBLY WITH ILM COVER AND BACK PLATE ASSEMBLY
1	1	105142-8100	LGA2011 ILM ASSEMBLY WITH ILM COVER
1	2	105142-7000	LGA2011 BACK PLATE ASSEMBLY

PROPOSED  
EC NO: SH2012-0197  
DRWN: YXZHENG 2011/05/13  
CHKD:  
APPR: AYIN 2012/06/22  
REV A

QUALITY SYMBOLS	GENERAL TOLERANCES (UNLESS SPECIFIED)	
	mm	INCH
$F_s=0$	4 PLACES ± ---	± ---
$F_G=0$	3 PLACES ± ---	± ---
$F_P=0$	2 PLACES ± 0.20	± ---
	1 PLACE ± 0.30	± ---
	ANGULAR ± 3 °	

DRAFT WHERE APPLICABLE  
MUST REMAIN  
WITHIN DIMENSIONS

DIMENSION STYLE	SCALE	DESIGN UNITS	THIRD ANGLE PROJECTION
MM ONLY	1:1	METRIC	
DRAWN BY	DATE	TITLE	
YXZHENG	2011/01/26	ILM AND BACK PLATE DRAWING FOR LGA 2011 SOCKET	
CHECKED BY	DATE	APPROVED BY	
		DATE	
MATERIAL NO.		DOCUMENT NO.	
SEE TABLE		SD-105142-800	
SIZE	THIS DRAWING CONTAINS INFORMATION THAT IS PROPRIETARY TO MOLEX INCORPORATED AND SHOULD NOT BE USED WITHOUT WRITTEN PERMISSION		
A3			

ILM AND BACK PLATE  
DRAWING FOR LGA 2011  
SOCKET

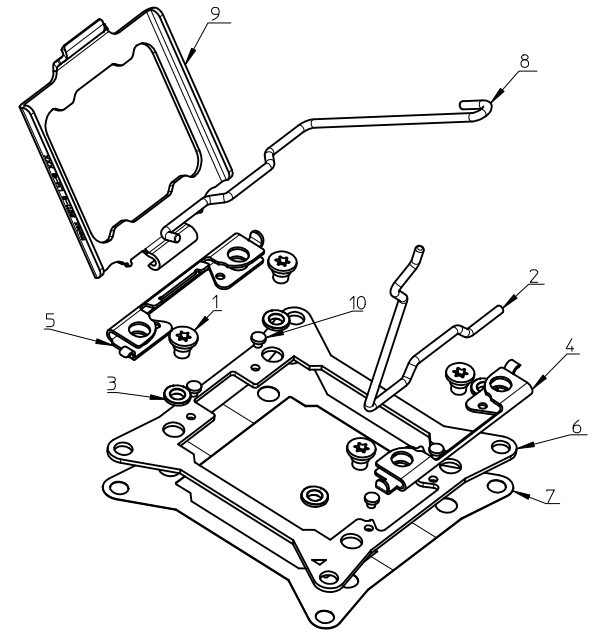
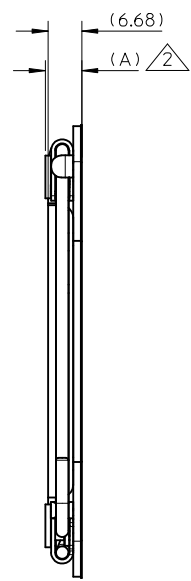
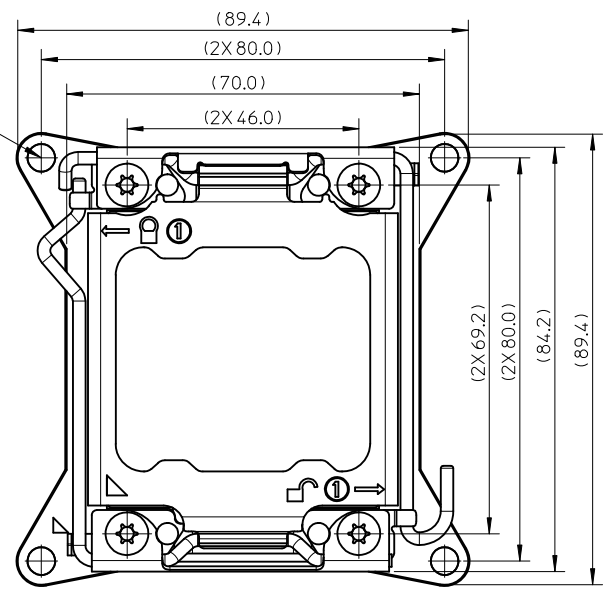


MOLEX INCORPORATED

SHEET NO.  
4 OF 9

10 9 8 7 6 5 4 3 2 1

HS STUD  
(M4 X 0.7MM  
INTERNAL THREAD)



TOP	COMPONENT				
	ITEM NO	Q'TY	PART NO.	DESCRIPTION	MATERIAL
LGA 2011 ILM ASSEMBLY (W/O 4-STUDS)  PART NO: 105142-8400	1	4	105143-8001	LGA2011 CAPTIVE NUT, SHOULDER(φ6-32 THREAD)	STEEL WITH NICKEL PLATING
	2	1	105143-8002	LGA2011 ILM ACTIVE LEVER	STAINLESS STEEL
	3	4	105143-8003	LGA2011 ILM CAPTIVE NUT COLLAR, SHOULDER	STEEL WITH NICKEL PLATING
	4	1	105143-8004	LGA2011 ILM CLEVIS, ACTIVE	STAINLESS STEEL
	5	1	105143-8005	LGA2011 ILM CLEVIS, HINGE	STAINLESS STEEL
	6	1	105143-8007	LGA2011 ILM FRAME	STEEL WITH NICKEL PLATING
	7	1	105143-8013	LGA2011 ILM FRAME INSULATOR (W/O STUD)	HALOGEN FREE POLYCARBONATE SHEET
	8	1	105143-8009	LGA2011 ILM HINGE LEVER	STAINLESS STEEL
	9	1	105143-8011	LGA2011 ILM LOADPLATE	STAINLESS STEEL
	10	4	105143-8012	LGA2011 ILM RIVET	STAINLESS STEEL

PROPOSED  
EC NO: SH2012-0197  
DRWN: YXZHENG 2011/05/13  
CHKD:  
APPR: AYIN 2012/06/22

QUALITY SYMBOLS  
F<sub>A</sub>=0  
F<sub>C</sub>=0  
F<sub>P</sub>=0

GENERAL TOLERANCES (UNLESS SPECIFIED)

	mm	INCH
4 PLACES	± ---	± ---
3 PLACES	± ---	± ---
2 PLACES	± 0.20	± ---
1 PLACE	± 0.30	± ---

ANGULAR ± 3 °

DRAFT WHERE APPLICABLE  
MUST REMAIN  
WITHIN DIMENSIONS

DIMENSION STYLE  
MM ONLY

SCALE  
1:1

DESIGN UNITS  
METRIC

THIRD ANGLE PROJECTION

DRAWN BY  
YXZHENG

DATE  
2011/01/26

CHECKED BY

DATE

APPROVED BY

DATE

MATERIAL NO.  
SEE TABLE

DOCUMENT NO.  
SD-105142-800

SHEET NO.  
5 OF 9

SIZE  
A3

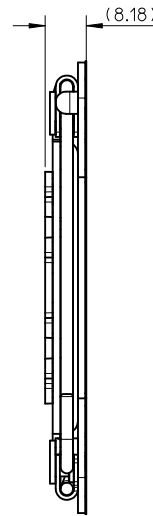
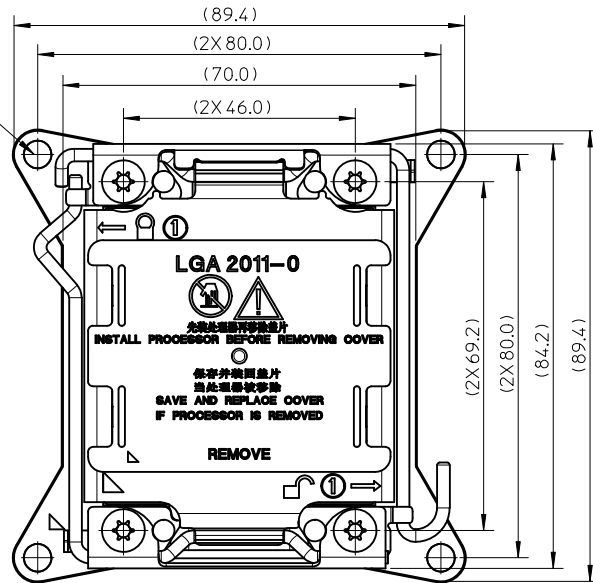
THIS DRAWING CONTAINS INFORMATION THAT IS PROPRIETARY TO MOLEX INCORPORATED AND SHOULD NOT BE USED WITHOUT WRITTEN PERMISSION

TITLE  
ILM AND BACK PLATE  
DRAWING FOR LGA 2011  
SOCKET

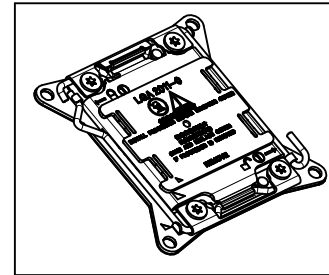
MOLEX INCORPORATED

9 8 7 6 5 4 3 2 1

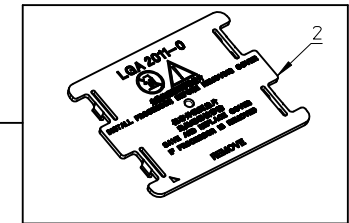
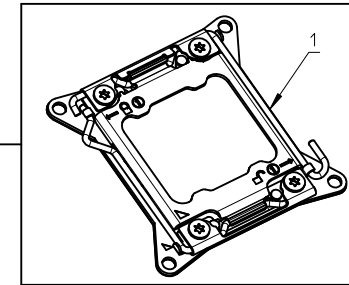
HS STUD  
(M4 X 0.7MM  
INTERNAL THREAD)



LGA 2011 ILM ASSEMBLY  
(W/O 4-STUDS)  
WITH ILM COVER  
PART NO: 105142-8500



LGA 2011 ILM ASSEMBLY  
W/O 4-STUDS  
PART NO: 105142-8400

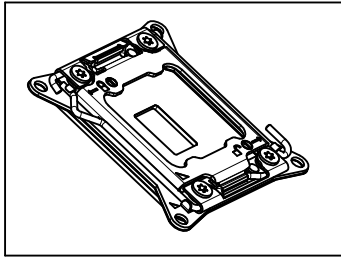


LGA 2011 ILM COVER  
PART NO: 105143-8006

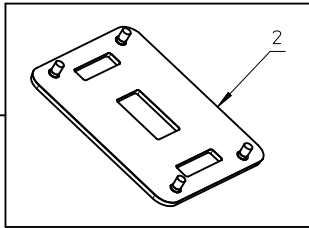
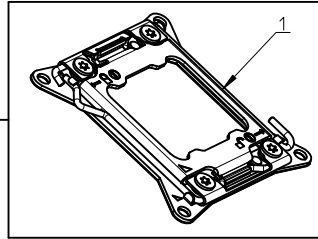
Q'T	ITEM NO	PART NO.	DESCRIPTION
1	TOP	105142-8500	LGA 2011 ILM ASSEMBLY W/ILM COVER(W/O STUD)
1	1	105142-8400	LGA2011 ILM ASSEMBLY W/O 4-STUDS
1	2	105143-8006	LGA2011 ILM COVER ( PC/ABS)

PROPOSED EC NO: SH2012-0197 DRWN:YXZHENG 2011/05/13 CHKD: APPR:AYIN 2012/06/22	DESCRIPTION A	QUALITY SYMBOLS	GENERAL TOLERANCES (UNLESS SPECIFIED)	DIMENSION STYLE	SCALE	DESIGN UNITS	THIRD ANGLE PROJECTION	
		$\nabla_A = 0$ $\nabla_C = 0$ $\nabla_P = 0$	mm INCH 4 PLACES ± --- ± --- 3 PLACES ± --- ± --- 2 PLACES ± 0.20 ± --- 1 PLACE ± 0.30 ± --- ANGULAR ± 3 °	MM ONLY	1:1	METRIC	DRAWN BY: YXZHENG DATE: 2011/01/26 CHECKED BY: DATE: APPROVED BY: DATE:	TITLE
		DRAFT WHERE APPLICABLE MUST REMAIN WITHIN DIMENSIONS	SEE TABLE	MATERIAL NO.	DOCUMENT NO.	SHEET NO.	ILM AND BACK PLATE DRAWING FOR LGA 2011 SOCKET MOLEX INCORPORATED SD-105142-800	6 OF 9
				SIZE	THIS DRAWING CONTAINS INFORMATION THAT IS PROPRIETARY TO MOLEX INCORPORATED AND SHOULD NOT BE USED WITHOUT WRITTEN PERMISSION			

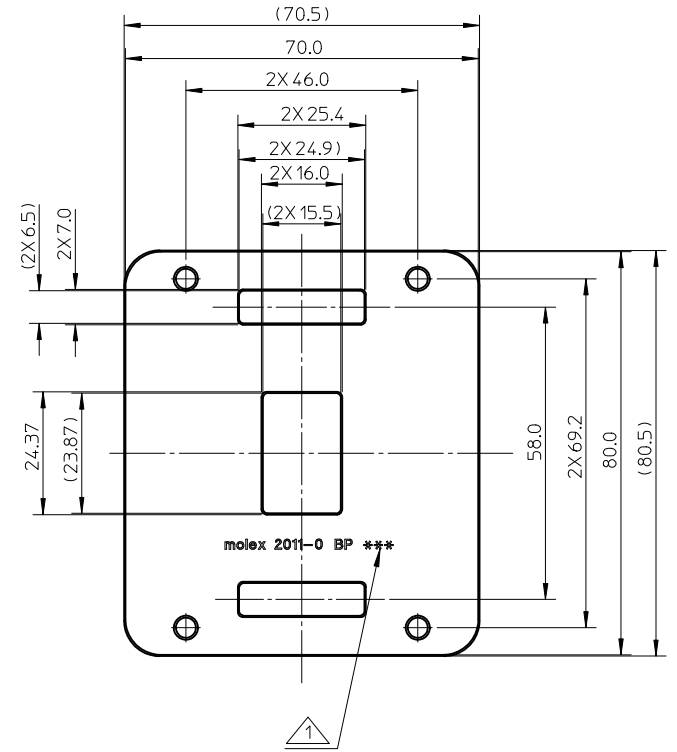
LGA 2011 ILM AND BP ASSEMBLY  
W/O 4-STUDS AND ILM COVER  
PART NO: 105142-8600



LGA 2011 ILM ASSEMBLY  
W/O 4-STUDS  
PART NO: 105142-8400



LGA 2011 BACK PLATE ASSEMBLY  
PART NO: 105142-7000

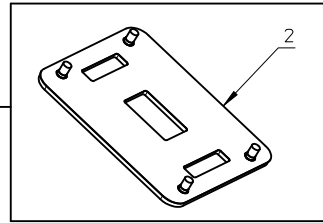
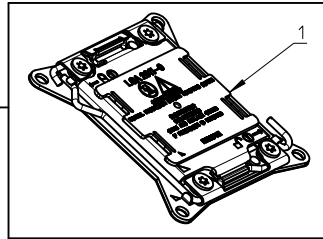
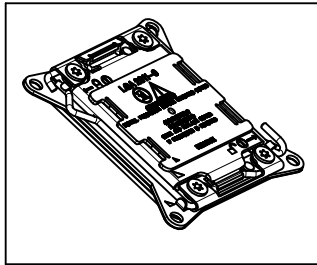


Q'T	ITEM NO	PART NO.	DESCRIPTION
1	TOP	105142-8600	LGA 2011 ILM AND BP ASSEMBLY W/O 4-STUDS,ILM COVER
1	1	105142-8400	LGA2011 ILM ASSEMBLY W/O 4-STUDS
1	2	105142-7000	LGA2011 BACK PLATE ASSEMBLY

PROPOSED EC NO: SH2012-0197 DRWN:YXZHENG CHKD: APPR:AYIN 2011/05/13 2012/06/22	DESCRIPTION REV	QUALITY SYMBOLS	GENERAL TOLERANCES (UNLESS SPECIFIED)	DIMENSION STYLE	SCALE	DESIGN UNITS	THIRD ANGLE PROJECTION	
		$F_A=0$ $F_C=0$ $F_P=0$	mm INCH 4 PLACES ± --- ± --- 3 PLACES ± --- ± --- 2 PLACES ± 0.20 ± --- 1 PLACE ± 0.30 ± --- ANGULAR ± 3 °	MM ONLY	1:2	METRIC		
			DRAFT WHERE APPLICABLE MUST REMAIN WITHIN DIMENSIONS	DRAWN BY: YXZHENG DATE: 2011/01/26 CHECKED BY: DATE: APPROVED BY: DATE:	TITLE	ILM AND BACK PLATE DRAWING FOR LGA 2011 SOCKET		
				MATERIAL NO. SEE TABLE SIZE: A3	DOCUMENT NO. SD-105142-800	MOLEX INCORPORATED SHEET NO. 7 OF 9		

LGA 2011 ILM ASSEMBLY  
 (W/O 4-STUDS)  
 WITH ILM COVER  
 PART NO: 105142-8500

LGA 2011 ILM AND BP ASSEMBLY  
 (W/O 4-STUDS)  
 WITH ILM COVER  
 PART NO: 105142-8700



LGA 2011 BACK PLATE ASSEMBLY  
 PART NO: 105142-7000

Q'T	ITEM NO	PART NO.	DESCRIPTION
1	TOP	105142-8700	LGA 2011 ILM AND BP ASSEMBLY(W/O 4-STUDS) WITH ILM COVER
1	1	105142-8500	LGA 2011 ILM ASSEMBLY(W/O 4-STUDS) WITH ILM COVER
1	2	105142-7000	LGA2011 BACK PLATE ASSEMBLY

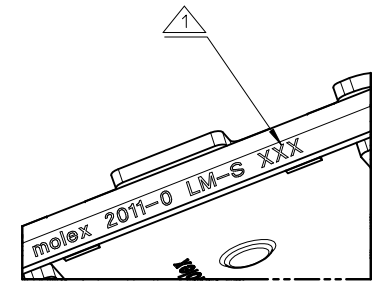
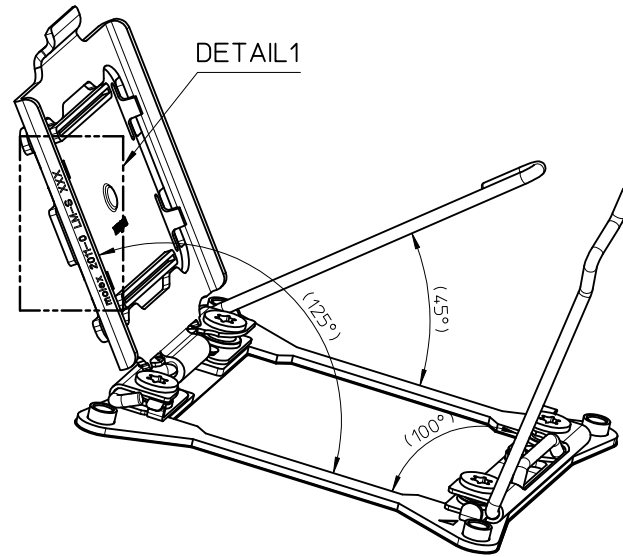
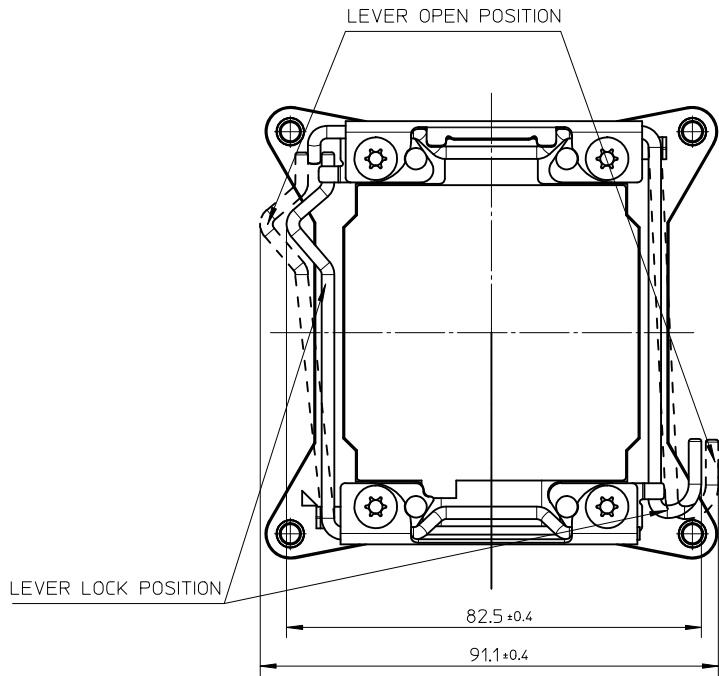
PROPOSED  
 EC NO: SH2012-0197  
 DRWN: YXZHENG 2011/05/13  
 CHKD:  
 APPR: AYIN 2012/06/22

QUALITY SYMBOLS	GENERAL TOLERANCES (UNLESS SPECIFIED)	
	mm	INCH
$F_{\Delta}=0$	4 PLACES $\pm$ ---	$\pm$ ---
$F_{\square}=0$	3 PLACES $\pm$ ---	$\pm$ ---
$F_{\ominus}=0$	2 PLACES $\pm$ 0.20	$\pm$ ---
$F_{\ominus}=0$	1 PLACE $\pm$ 0.30	$\pm$ ---
	ANGULAR $\pm$ 3 °	

DIMENSION STYLE		SCALE	DESIGN UNITS
MM ONLY		1:2	METRIC
DRAWN BY	DATE	TITLE	
YXZHENG	2011/01/26	ILM AND BACK PLATE DRAWING FOR LGA 2011 SOCKET	
CHECKED BY	DATE	APPROVED BY	
		DATE	
MATERIAL NO.		DOCUMENT NO.	
SEE TABLE		SD-105142-800	
SIZE	THIS DRAWING CONTAINS INFORMATION THAT IS PROPRIETARY TO MOLEX INCORPORATED AND SHOULD NOT BE USED WITHOUT WRITTEN PERMISSION		
A3			

THIRD ANGLE PROJECTION	MOLEX INCORPORATED		SHEET NO.
	MOLEX INCORPORATED		8 OF 9





ILM OPEN ANGLE FOR REFERENCE ONLY

PROPOSED EC NO: SH2012-0197 DRWN: YXZHENG CHKD: APPR: AYIN	2011/05/13 2012/06/22	DESCRIPTION REV	QUALITY SYMBOLS	GENERAL TOLERANCES (UNLESS SPECIFIED)		DIMENSION STYLE	SCALE	DESIGN UNITS	THIRD ANGLE PROJECTION
			$F_A=0$ $F_B=0$ $F_C=0$	mm	INCH	MM ONLY	1:1	METRIC	
			4 PLACES ± --- ± --- 3 PLACES ± --- ± --- 2 PLACES ± 0.20 ± --- 1 PLACE ± 0.30 ± ---	DRAWN BY YXZHENG		DATE 2011/01/26	TITLE ILM AND BACK PLATE DRAWING FOR LGA 2011 SOCKET		
			ANGULAR ± 3 °	CHECKED BY		DATE	MOLEX INCORPORATED		
			DRAFT WHERE APPLICABLE MUST REMAIN WITHIN DIMENSIONS	APPROVED BY		DATE	MATERIAL NO.	DOCUMENT NO.	SHEET NO.
				SEE TABLE			SD-105142-800	9 OF 9	
THIS DRAWING CONTAINS INFORMATION THAT IS PROPRIETARY TO MOLEX INCORPORATED AND SHOULD NOT BE USED WITHOUT WRITTEN PERMISSION									