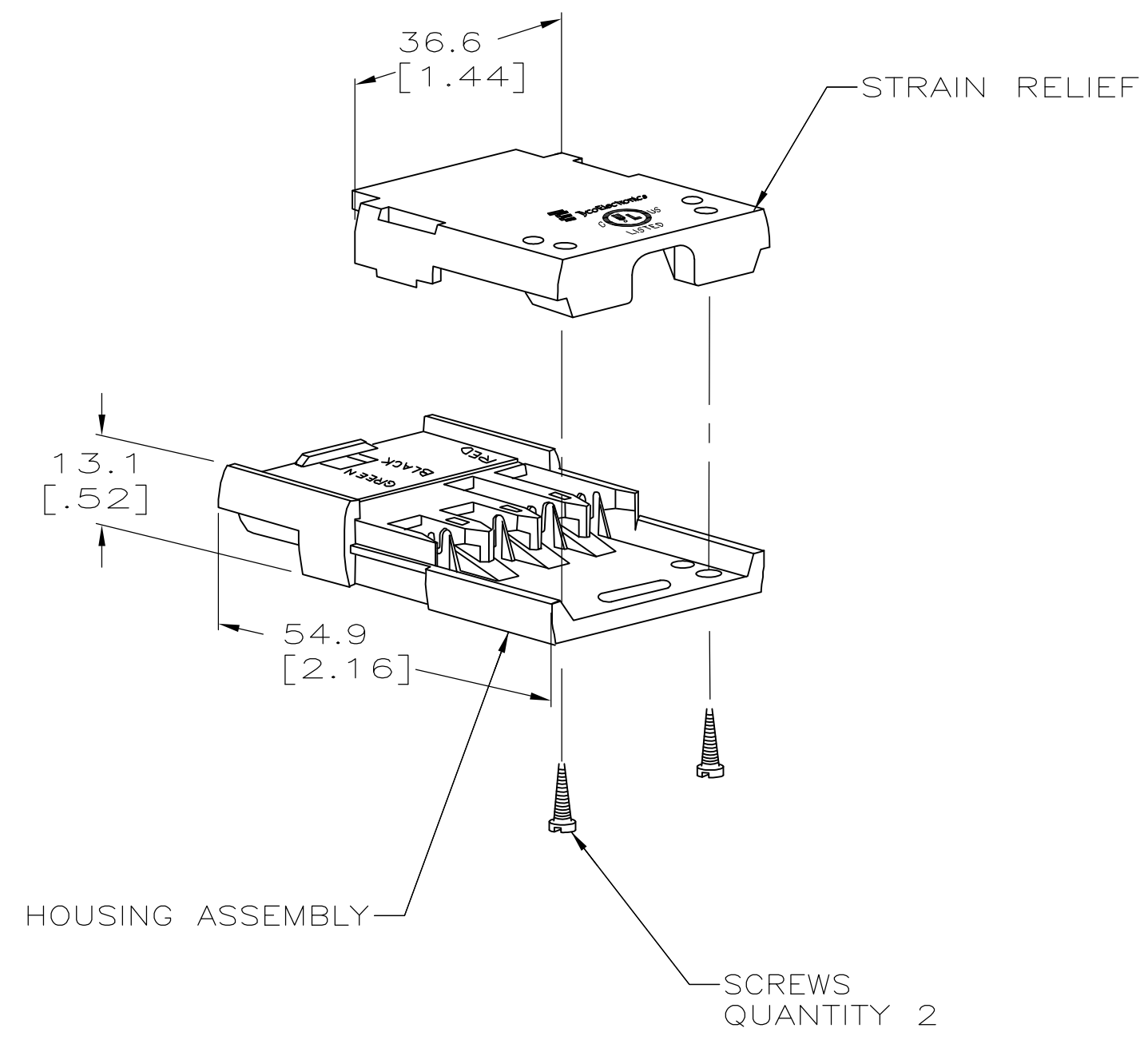


THIS DRAWING IS UNPUBLISHED. RELEASED FOR PUBLICATION
 © COPYRIGHT BY TYCO ELECTRONICS CORPORATION. ALL INTERNATIONAL RIGHTS RESERVED.

LOC	DIST	REVISIONS					
		P	LTR	DESCRIPTION	DATE	DWN	APVD
HM	00		L	REV; EC 0801-0142-98	20NOV98	DD	FL
			M	REV-ECO-08-020861	08SEP08	LH	SJ



- ⚠ MATERIAL: HOUSING ASSEMBLY – CONTACTS, TIN PLATED COPPER ALLOY; HOUSING, POLYCARBONATE MOLDING COMPOUND SOFT WHITE. STRAIN RELIEF – POLYCARBONATE MOLDING COMPOUND, CLEAR. SCREWS – ZINC PLATED CARBON STEEL.
- 2. WIRE RANGE AND TYPE: 12 & 14 AWG SOLID COPPER WIRE ONLY, NONMETALLIC SHEATHED CABLE.
- ⚠ KIT PACKAGE BULK: 500 HOUSING ASSEMBLIES IN A PLOYBAG, 500 STRAIN RELIEFS IN A POLYBAG, 1000 SCREWS IN A POLYBAG. ONE BAG OF EACH PACKAGED IN A BOX WITH 5 INSTRUCTION SHEETS, 408-6571.
- ⚠ KIT PACKAGED INDIVIDUALLY: 1 CONTACT/HOUSING ASSEMBLY, 1 STRAIN RELIEF, 2 SCREWS AND 1 INSTRUCTION SHEET, 408-6571-3 IN A WHITE BACKGROUND POLYBAG. 100 KITS PACKAGED IN A BOX.
- 5. CONTACTS ASSEMBLED IN HOUSING.
- 6. ALL DIMENSIONS SHOWN ARE MAXIMUM.

4	208169-2
3	208169-1
PART NUMBER	

THIS DRAWING IS A CONTROLLED DOCUMENT.		DWN G. GARRETT 02JUN98	Tyco Electronics Corporation Harrisburg, PA 17105-3608	
DIMENSIONS: mm [INCHES]		CHK F. LINCOLN 02JUN98	NAME F. LINCOLN	
TOLERANCES UNLESS OTHERWISE SPECIFIED: 0 PLC ± - 1 PLC ± - 2 PLC ± 0.51[.02] 3 PLC ± - 4 PLC ± - ANGLES ± -		APVD F. LINCOLN 02JUN98	PRODUCT SPEC KIT, ENERFLEX, NONMETALLIC CABLE SPLICE 3 CONDUCTOR + GROUND, 12 & 14 AWG SOLID COPPER, 300 V, 20 AMP	
MATERIAL ⚠		FINISH -	WEIGHT -	RESTRICTED TO -
CUSTOMER DRAWING		SCALE NTS	SIZE A2	CAGE CODE 00779
		DRAWING NO C=208169	DRAWING NO 208169	
		SHEET 1 of 1	REV M	